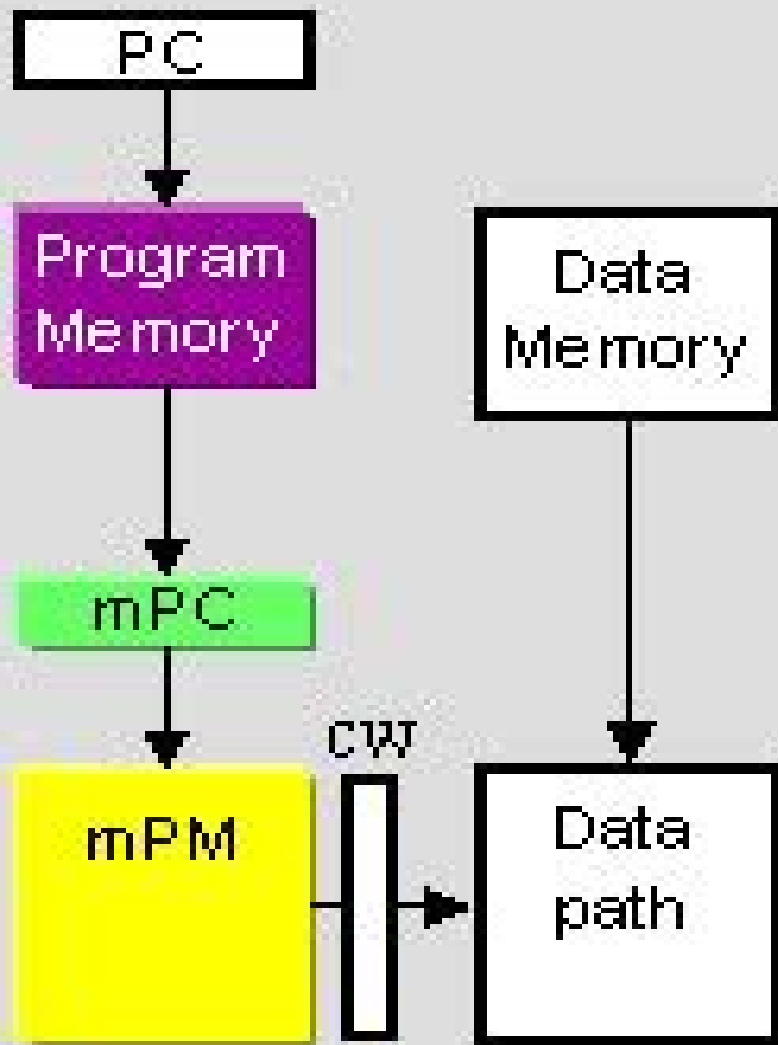
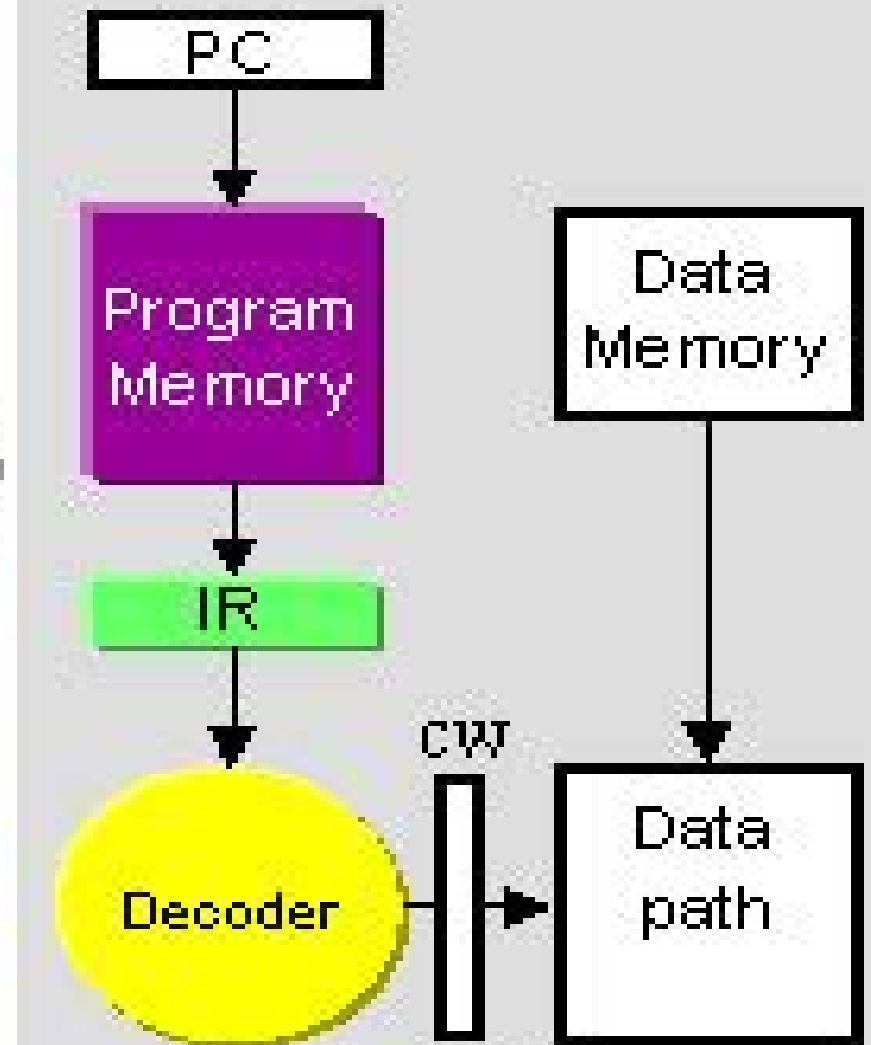


CISC



Complex instructions
One instruction = several CW
PM standard

RISC



Simple instructions
One instruction = One CW
PM longer

Risc Architectures

Code Xtracts



Risc Architectures:

Recognizing the habit ways to acquire this ebook **Risc Architectures** is additionally useful. You have remained in right site to start getting this info. acquire the Risc Architectures associate that we come up with the money for here and check out the link.

You could purchase guide Risc Architectures or acquire it as soon as feasible. You could quickly download this Risc Architectures after getting deal. So, similar to you require the books swiftly, you can straight get it. Its appropriately categorically easy and appropriately fats, isnt it? You have to favor to in this proclaim

<https://pinsupreme.com/data/Resources/default.aspx/S%20Com%20No%204%20The%20Fighting%20Irish.pdf>

Table of Contents Risc Architectures

1. Understanding the eBook Risc Architectures
 - The Rise of Digital Reading Risc Architectures
 - Advantages of eBooks Over Traditional Books
2. Identifying Risc Architectures
 - Exploring Different Genres
 - Considering Fiction vs. Non-Fiction
 - Determining Your Reading Goals
3. Choosing the Right eBook Platform
 - Popular eBook Platforms
 - Features to Look for in an Risc Architectures
 - User-Friendly Interface
4. Exploring eBook Recommendations from Risc Architectures
 - Personalized Recommendations
 - Risc Architectures User Reviews and Ratings
 - Risc Architectures and Bestseller Lists
5. Accessing Risc Architectures Free and Paid eBooks

- Risc Architectures Public Domain eBooks
 - Risc Architectures eBook Subscription Services
 - Risc Architectures Budget-Friendly Options
6. Navigating Risc Architectures eBook Formats
 - ePub, PDF, MOBI, and More
 - Risc Architectures Compatibility with Devices
 - Risc Architectures Enhanced eBook Features
 7. Enhancing Your Reading Experience
 - Adjustable Fonts and Text Sizes of Risc Architectures
 - Highlighting and Note-Taking Risc Architectures
 - Interactive Elements Risc Architectures
 8. Staying Engaged with Risc Architectures
 - Joining Online Reading Communities
 - Participating in Virtual Book Clubs
 - Following Authors and Publishers Risc Architectures
 9. Balancing eBooks and Physical Books Risc Architectures
 - Benefits of a Digital Library
 - Creating a Diverse Reading Collection Risc Architectures
 10. Overcoming Reading Challenges
 - Dealing with Digital Eye Strain
 - Minimizing Distractions
 - Managing Screen Time
 11. Cultivating a Reading Routine Risc Architectures
 - Setting Reading Goals Risc Architectures
 - Carving Out Dedicated Reading Time
 12. Sourcing Reliable Information of Risc Architectures
 - Fact-Checking eBook Content of Risc Architectures
 - Distinguishing Credible Sources
 13. Promoting Lifelong Learning
 - Utilizing eBooks for Skill Development

- Exploring Educational eBooks
14. Embracing eBook Trends
- Integration of Multimedia Elements
 - Interactive and Gamified eBooks

Risc Architectures Introduction

Risc Architectures Offers over 60,000 free eBooks, including many classics that are in the public domain. Open Library: Provides access to over 1 million free eBooks, including classic literature and contemporary works. Risc Architectures Offers a vast collection of books, some of which are available for free as PDF downloads, particularly older books in the public domain. Risc Architectures : This website hosts a vast collection of scientific articles, books, and textbooks. While it operates in a legal gray area due to copyright issues, its a popular resource for finding various publications. Internet Archive for Risc Architectures : Has an extensive collection of digital content, including books, articles, videos, and more. It has a massive library of free downloadable books. Free-eBooks Risc Architectures Offers a diverse range of free eBooks across various genres. Risc Architectures Focuses mainly on educational books, textbooks, and business books. It offers free PDF downloads for educational purposes. Risc Architectures Provides a large selection of free eBooks in different genres, which are available for download in various formats, including PDF. Finding specific Risc Architectures, especially related to Risc Architectures, might be challenging as theyre often artistic creations rather than practical blueprints. However, you can explore the following steps to search for or create your own Online Searches: Look for websites, forums, or blogs dedicated to Risc Architectures, Sometimes enthusiasts share their designs or concepts in PDF format. Books and Magazines Some Risc Architectures books or magazines might include. Look for these in online stores or libraries. Remember that while Risc Architectures, sharing copyrighted material without permission is not legal. Always ensure youre either creating your own or obtaining them from legitimate sources that allow sharing and downloading. Library Check if your local library offers eBook lending services. Many libraries have digital catalogs where you can borrow Risc Architectures eBooks for free, including popular titles. Online Retailers: Websites like Amazon, Google Books, or Apple Books often sell eBooks. Sometimes, authors or publishers offer promotions or free periods for certain books. Authors Website Occasionally, authors provide excerpts or short stories for free on their websites. While this might not be the Risc Architectures full book , it can give you a taste of the authors writing style. Subscription Services Platforms like Kindle Unlimited or Scribd offer subscription-based access to a wide range of Risc Architectures eBooks, including some popular titles.

FAQs About Risc Architectures Books

How do I know which eBook platform is the best for me? Finding the best eBook platform depends on your reading preferences and device compatibility. Research different platforms, read user reviews, and explore their features before making a choice. Are free eBooks of good quality? Yes, many reputable platforms offer high-quality free eBooks, including classics and public domain works. However, make sure to verify the source to ensure the eBook credibility. Can I read eBooks without an eReader? Absolutely! Most eBook platforms offer web-based readers or mobile apps that allow you to read eBooks on your computer, tablet, or smartphone. How do I avoid digital eye strain while reading eBooks? To prevent digital eye strain, take regular breaks, adjust the font size and background color, and ensure proper lighting while reading eBooks. What the advantage of interactive eBooks? Interactive eBooks incorporate multimedia elements, quizzes, and activities, enhancing the reader engagement and providing a more immersive learning experience. Risc Architectures is one of the best book in our library for free trial. We provide copy of Risc Architectures in digital format, so the resources that you find are reliable. There are also many Ebooks of related with Risc Architectures. Where to download Risc Architectures online for free? Are you looking for Risc Architectures PDF? This is definitely going to save you time and cash in something you should think about.

Find Risc Architectures :

~~s com no. 4 the fighting irish~~

sabias que interactive cd-rom cd 4th

ryrie new american standard study bible/leather.

sacred sanskrit words for yoga chant and meditation

russian americans

ruth benedict beyond relativity beyond pattern.

sacred grounds

~~saber frances-en diez dias~~

sad comedy of eldar riazanov an introduction to russia's most popular filmmaker

sacagawea bird girl by seymour f.w.

~~sabiduria del zen la~~

sabiduria de santa teresa de jesus la

saddam hubein

ruta de la seda la

russian song international songbooks

Risc Architectures :

Service Manual, Consumer Strength Equipment Visually check all cables and pulleys before beginning service or maintenance operations. If the unit is not completely assembled or is damaged in any way, ... Pacific Fitness Home Gym Manual - Fill Online, Printable ... Fill Pacific Fitness Home Gym Manual, Edit online. Sign, fax and printable from PC, iPad, tablet or mobile with pdfFiller Instantly. Try Now! Other Home Gym Newport Pacific ... - Fitness & Sports Manuals Aug 24, 2012 — Fitness manuals and free pdf instructions. Find the personal fitness user manual you need at ManualsOnline. Owners Manual Follow instructions provided in this manual for correct foot position ... First Degree Fitness Limited warrants that the Pacific Challenge AR / NEWPORT Challenge ... first degree fitness - USER GUIDE Follow instructions provided in this manual for correct foot position and basic rowing techniques. • For more detailed rowing techniques, please refer to our ... Pacific Fitness Newport Manual pdf download Pacific Fitness Newport Manual pdf download. Pacific Fitness Newport Manual pdf download online full. Ler. Salvar. Dr Gene James- Pacific Fitness Newport gym demo - YouTube First Degree Fitness PACIFIC AR User Manual View and Download First Degree Fitness PACIFIC AR user manual online. PACIFIC AR home gym pdf manual download. Also for: Newport ar, Daytona ar. Fitness Superstore Owners Manuals For All Gym ... Download Fitness Equipment Owners Manuals at FitnessSuperstore.com including Precor Owners Manuals, Life Fitness Operational Manuals, Octane Fitness Owners ... Tomorrow People: Future Consumers and How... by Martin ... Book overview ... The future is a profit stream waiting to happen, but it takes careful observation and anticipation to make it flow your way. This book is a ... Tomorrow People: Future Consumers and How to Read ... Tomorrow People: Future Consumers and How to Read Them: Mapping the Needs and Desires of Tomorrow's Customers Now by Martin Raymond (2003-05-28) [Martin ... The tomorrow people : future consumers and how to read them CONTENTS CI. The Tomorrow People - Tomorrow Happens So YouA'd Better Be Prepared! A snapshot of tomorrow's consumers; the world they will inhabit; ... Tomorrow People: Future Consumers and How to Read Them Tomorrow People: Future Consumers and How to Read Them. by Mr Martin Raymond. Hardcover, 279 Pages, Published 2003. ISBN-10: 0-273-65957-X / 027365957X Tomorrow People : Future Consumers and How to Read Them ... Webcat Plus: Tomorrow People : Future Consumers and How to Read Them, GET TO KNOW YOUR FUTURE CUSTOMERS "The future is a profit stream waiting to happen, ... The tomorrow people : future consumers and how to read them City Campus Library Floor 4 658.834 RAY; Hide Details. Availability: (1 copy, 1 available, 0 requests). Tomorrow People: Future Consumers and How to Read ... Jan 1, 2003 — Tomorrow People · Future Consumers and How to Read Them ; Tomorrow People · Future Consumers and How to Read Them ; Stock Photo · Cover May Be ... What would you

ask tomorrow's consumer today? Oct 20, 2023 — It's clear Sam and Wanyi are different people with different perspectives based on the future world scenarios they live in. Getting a view ... Tomorrow People: Future Consumers and How to Read ... Jan 1, 2003 — by Martin Raymond · About This Item · Reviews · Details · Terms of Sale · About the Seller · Collecting Arkham House · Collecting One Book. The future of the consumer industry: Buying into better The agency to harness change and build a better tomorrow ... The future isn't preordained. Instead, we construct our future one choice at a time. We have the ... Acura TL and CL Service Manual Mar 7, 2017 — Acura Inspire. 216 subscribers. Free Acura TL CL Service Manual PDF Download - 1999, 2000, 2001, 2002, 2003. Acura Inspire. Search. Info. 2002 acura tl service repair manual by jhjsnefyudd Jul 27, 2017 — Read 2002 acura tl service repair manual by jhjsnefyudd on Issuu and browse thousands of other publications on our platform. Start here! Acura TL Service Repair Manual free download Acura Tl (gasoline engine) 1999-2008 - repair manual and maintenance manual, wiring diagrams, instruction manual and owners manual free download. 1999- 2003 Acura 3.2L TL Service Repair Manual This 99-03 Acura 3.2L TL Factory Service Repair Manual will contain the same information as the original manual(s) and provides information on diagnosis, ... Acura TL Repair & Service Manuals (69 PDF's Get your hands on the complete Acura factory workshop software. Download now. Other Manuals 1613 Pages. Acura - TL - Workshop Manual - 2002 - 2008. View pdf. Acura 3.2 TL Service Repair Manual 1999 2000 2001 2002 ... May 20, 2018 - Acura 3.2 TL Service Repair Manual 1999 2000 2001 2002 2003 PDF,Utilizing these guidebook is a low-cost method to maintain your Acura RL 3.5. Acura TL 99-03 Service Manual (standard, Type-S) Acura TL 1999, 2000, 2001, 2002, 2003 Service Repair Owners Manual, Maintenance, Wiring Diagrams, PDF, Download. 1999-2003 Acura 3.2 TL Repair Shop Manual Factory ... This factory information shows you how to repair your vehicle. With step-by-step instructions, clear pictures, exploded view illustrations, schematics, ... Acura TL Service Repair Manual & EWD - Wiring Diagrams 2002 ACURA TL Service Manual Download Acura TL 2003 EWD Wiring Diagrams ... 2009-2010 ACURA TL SERVICE REPAIR MANUAL. Acura TL General Information Service Manual ... Service & Repair Manuals for Acura TL Get the best deals on Service & Repair Manuals for Acura TL when you shop the largest online selection at eBay.com. Free shipping on many items | Browse ...