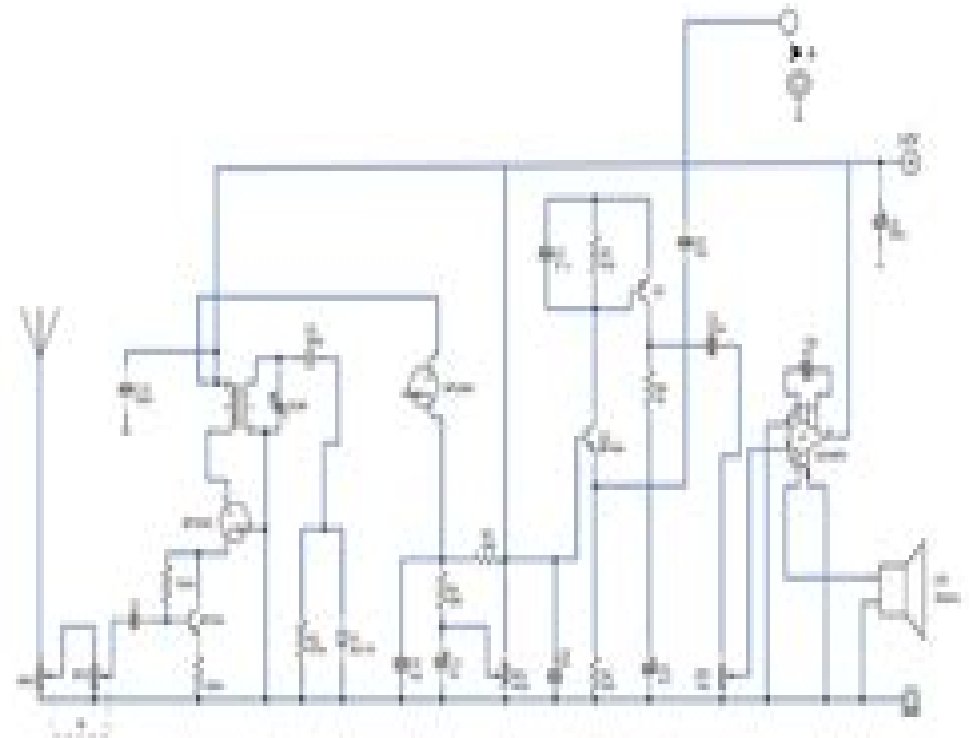


# Short Wave Radio Circuit

## using LM386N IC



# Short Wave

**L Manion**



**Short Wave:**

Immerse yourself in heartwarming tales of love and emotion with its touching creation, Tender Moments: **Short Wave** . This emotionally charged ebook, available for download in a PDF format ( Download in PDF: \*), is a celebration of love in all its forms. Download now and let the warmth of these stories envelop your heart.

[https://pinsupreme.com/files/publication/HomePages/politics\\_parties\\_and\\_elections\\_in\\_america\\_the\\_nelson\\_hall\\_series\\_in\\_political\\_science.pdf](https://pinsupreme.com/files/publication/HomePages/politics_parties_and_elections_in_america_the_nelson_hall_series_in_political_science.pdf)

## **Table of Contents Short Wave**

1. Understanding the eBook Short Wave
  - The Rise of Digital Reading Short Wave
  - Advantages of eBooks Over Traditional Books
2. Identifying Short Wave
  - Exploring Different Genres
  - Considering Fiction vs. Non-Fiction
  - Determining Your Reading Goals
3. Choosing the Right eBook Platform
  - Popular eBook Platforms
  - Features to Look for in an Short Wave
  - User-Friendly Interface
4. Exploring eBook Recommendations from Short Wave
  - Personalized Recommendations
  - Short Wave User Reviews and Ratings
  - Short Wave and Bestseller Lists
5. Accessing Short Wave Free and Paid eBooks
  - Short Wave Public Domain eBooks
  - Short Wave eBook Subscription Services
  - Short Wave Budget-Friendly Options

6. Navigating Short Wave eBook Formats
  - ePub, PDF, MOBI, and More
  - Short Wave Compatibility with Devices
  - Short Wave Enhanced eBook Features
7. Enhancing Your Reading Experience
  - Adjustable Fonts and Text Sizes of Short Wave
  - Highlighting and Note-Taking Short Wave
  - Interactive Elements Short Wave
8. Staying Engaged with Short Wave
  - Joining Online Reading Communities
  - Participating in Virtual Book Clubs
  - Following Authors and Publishers Short Wave
9. Balancing eBooks and Physical Books Short Wave
  - Benefits of a Digital Library
  - Creating a Diverse Reading Collection Short Wave
10. Overcoming Reading Challenges
  - Dealing with Digital Eye Strain
  - Minimizing Distractions
  - Managing Screen Time
11. Cultivating a Reading Routine Short Wave
  - Setting Reading Goals Short Wave
  - Carving Out Dedicated Reading Time
12. Sourcing Reliable Information of Short Wave
  - Fact-Checking eBook Content of Short Wave
  - Distinguishing Credible Sources
13. Promoting Lifelong Learning
  - Utilizing eBooks for Skill Development
  - Exploring Educational eBooks
14. Embracing eBook Trends
  - Integration of Multimedia Elements

- Interactive and Gamified eBooks

## Short Wave Introduction

Free PDF Books and Manuals for Download: Unlocking Knowledge at Your Fingertips In today's fast-paced digital age, obtaining valuable knowledge has become easier than ever. Thanks to the internet, a vast array of books and manuals are now available for free download in PDF format. Whether you are a student, professional, or simply an avid reader, this treasure trove of downloadable resources offers a wealth of information, conveniently accessible anytime, anywhere. The advent of online libraries and platforms dedicated to sharing knowledge has revolutionized the way we consume information. No longer confined to physical libraries or bookstores, readers can now access an extensive collection of digital books and manuals with just a few clicks. These resources, available in PDF, Microsoft Word, and PowerPoint formats, cater to a wide range of interests, including literature, technology, science, history, and much more. One notable platform where you can explore and download free Short Wave PDF books and manuals is the internet's largest free library. Hosted online, this catalog compiles a vast assortment of documents, making it a veritable goldmine of knowledge. With its easy-to-use website interface and customizable PDF generator, this platform offers a user-friendly experience, allowing individuals to effortlessly navigate and access the information they seek. The availability of free PDF books and manuals on this platform demonstrates its commitment to democratizing education and empowering individuals with the tools needed to succeed in their chosen fields. It allows anyone, regardless of their background or financial limitations, to expand their horizons and gain insights from experts in various disciplines. One of the most significant advantages of downloading PDF books and manuals lies in their portability. Unlike physical copies, digital books can be stored and carried on a single device, such as a tablet or smartphone, saving valuable space and weight. This convenience makes it possible for readers to have their entire library at their fingertips, whether they are commuting, traveling, or simply enjoying a lazy afternoon at home. Additionally, digital files are easily searchable, enabling readers to locate specific information within seconds. With a few keystrokes, users can search for keywords, topics, or phrases, making research and finding relevant information a breeze. This efficiency saves time and effort, streamlining the learning process and allowing individuals to focus on extracting the information they need. Furthermore, the availability of free PDF books and manuals fosters a culture of continuous learning. By removing financial barriers, more people can access educational resources and pursue lifelong learning, contributing to personal growth and professional development. This democratization of knowledge promotes intellectual curiosity and empowers individuals to become lifelong learners, promoting progress and innovation in various fields. It is worth noting that while accessing free Short Wave PDF books and manuals is convenient and cost-effective, it is vital to respect copyright laws and intellectual property rights. Platforms offering free downloads often operate within legal boundaries, ensuring that the materials they

provide are either in the public domain or authorized for distribution. By adhering to copyright laws, users can enjoy the benefits of free access to knowledge while supporting the authors and publishers who make these resources available. In conclusion, the availability of Short Wave free PDF books and manuals for download has revolutionized the way we access and consume knowledge. With just a few clicks, individuals can explore a vast collection of resources across different disciplines, all free of charge. This accessibility empowers individuals to become lifelong learners, contributing to personal growth, professional development, and the advancement of society as a whole. So why not unlock a world of knowledge today? Start exploring the vast sea of free PDF books and manuals waiting to be discovered right at your fingertips.

### **FAQs About Short Wave Books**

How do I know which eBook platform is the best for me? Finding the best eBook platform depends on your reading preferences and device compatibility. Research different platforms, read user reviews, and explore their features before making a choice. Are free eBooks of good quality? Yes, many reputable platforms offer high-quality free eBooks, including classics and public domain works. However, make sure to verify the source to ensure the eBook credibility. Can I read eBooks without an eReader? Absolutely! Most eBook platforms offer web-based readers or mobile apps that allow you to read eBooks on your computer, tablet, or smartphone. How do I avoid digital eye strain while reading eBooks? To prevent digital eye strain, take regular breaks, adjust the font size and background color, and ensure proper lighting while reading eBooks. What the advantage of interactive eBooks? Interactive eBooks incorporate multimedia elements, quizzes, and activities, enhancing the reader engagement and providing a more immersive learning experience. Short Wave is one of the best book in our library for free trial. We provide copy of Short Wave in digital format, so the resources that you find are reliable. There are also many Ebooks of related with Short Wave. Where to download Short Wave online for free? Are you looking for Short Wave PDF? This is definitely going to save you time and cash in something you should think about.

### **Find Short Wave :**

*politics parties and elections in america the nelson-hall series in political science*

**politics of aristotle everyman 605**

*politicians 1945 1960 1st edition*

**polnaia entsiklopediia tankov mira 19152000 gg**

**politics and the labour movement in chile**

**politics and government in ancient greece***politics & government in california 7th ed**politics in fiji studies in contemporary history*~~politics and budgeting in the world health organization studies in development~~*polynesian hawaii a cultural resource guide our global village series*~~politics of social ecology~~~~politisches tagebuch 19321939 edition mnemosyne~~**polymer interface and adhesion***politician goes to war*pollution prevention pays**Short Wave :****wsu physics department carroll weber state university** - Apr 12 2023

web instructor solutions manual for an introduction to modern astrophysics 2nd ed bradley w carroll and dale a ostlie  
 addison wesley reading ma 2007 please e mail them to modastro weber edu here is the amazon webpage with reviews of our  
 text here is a pc version of the modern astrophysicsgalaxy program to

*carroll and ostlie solutions mcf strathmore* - May 01 2022

web carroll and ostlie solutionscarroll ostlie an introduction to modern astrophysics here are my solutions to various  
 problems in the textbook an introduction to modern astrophysics by bradley w carroll and dale a ostlie 2nd edition pearson  
 education 2007 obviously i can t offer any guarantee that all the solutions are actually correct b

*carroll and ostlie solutions manual download* - Jan 29 2022

web carroll and ostlie solutions manual download affiliate pricing a company that has signed an ncci affiliation agreement for  
 states in which ncci is the licensed rating and or statistical organization and where the affiliate is writing or licensed to write  
 workers compensation insurance non affiliate pricing a customer of ncci that is not licensed

**pdf an introduction to modern astrophysics 2nd ed bradley w** - Mar 31 2022

web sep 19 2015 pdf an introduction to modern astrophysics 2nd ed bradley w carroll dale a ostlie pdf an introduction to  
 numerical analysis solutions manual by endre süli david f mayers pdf an introduction to ordinary differential equations james  
 c robinson pdf an introduction to signals and systems solutions manual by john

**carroll and ostlie solutions users marketciphertrading** - Feb 27 2022

web computer solutions in physics carroll and ostlie solutions omb no edited by kylan antonio modern cosmology mcgraw hill



higher education an introduction to modern astrophysics is a comprehensive well organized and engaging text covering every major area of modern astrophysics from the solar system and stellar astronomy

**an introduction to modern astrophysics solution manual** - Jun 14 2023

web program orbit general description orbit computes the orbit of a small mass about a much larger mass or it can be considered as computing the motion of the reduced mass about the center of mass an introduction to modern astrophysics appendix j bradley w carroll and dale a ostlie

*introduction modern astrophysics 2nd edition astrophysics* - Feb 10 2023

web an introduction to modern astrophysics 2nd edition textbook authors bradley w carroll weber state university utah dale a ostlie weber state university utah date published october 2017 availability in stock format hardback

**carroll and ostlie homework solutions best writing service** - Dec 28 2021

web carroll and ostlie homework solutions the glass menagerie fire escape essay popular dissertation proposal editor for hire au commercial paper terms conditions best quotes for argumentative essay small used

**carroll and ostlie homework solutions fast service** - Nov 26 2021

web carroll and ostlie homework solutions fast service wesely co pi on million grant helping to create national resource center for translation and global literacy

**an introduction to modern astrophysics solution manual** - Oct 18 2023

web solutions for an introduction to modern astrophysics 7 figure s2 1  $\log_{10} p$  vs  $\log_{10} a$  for the galilean moons 2 13 a since the velocity and position vectors are perpendicular at perihelion and aphelion conservation of angular momentum leads to  $r_p v_p = r_a v_a$  thus  $r_a = 1 \text{ ce } v_p / v_a$  where the last relation is obtained from eqs

*carroll ostlie introduction to modern astrophysics solutions* - Jun 02 2022

web feb 15 2023 introduction to modern astrophysics solutions is additionally useful you have remained in right site to start getting this info acquire the carroll ostlie introduction to modern astrophysics solutions belong to that we allow here and check out the link you could purchase guide carroll ostlie introduction to modern

**an introduction to modern astrophysics 2nd edition textbook solutions** - Sep 17 2023

web isbn 13 9780805304022 isbn 0805304029 authors dale a ostlie bradley w carroll rent buy an introduction to modern astrophysics 2nd edition edit edition 83 1825 ratings for this book s solutions

**an introduction to modern by carroll bradley w** - Jan 09 2023

web jan 1 2006 i have had carroll and ostlie s c o an introduction to modern astrophysics or as we students referred to it bob for big orange book both first and second editions for over 10 years and i find that i consult it often e g when i get stuck on a concept such as spectral line widths or absorption line wings and depths

[carroll b ostlie d an introduction to modern astrophysics 2ed](#) - Oct 06 2022

web an introduction to modern astrophysics 2ed 2014 textbook solutions carroll b ostlie d an introduction to modern astrophysics 2ed 2014 solutions manuals 9780805304022 answers carroll b ostlie d

**an introduction to modern astrophysics higher education from** - Mar 11 2023

web discover an introduction to modern astrophysics 2nd edition bradley w carroll hb isbn 9781108422161 on higher education from cambridge

**an introduction to modern astrophysics pdf 7n09sh240f80** - Jul 03 2022

web an introduction to modern astrophysics is a comprehensive well organized and engaging text covering every major area of modern astrophysics from the solar system and stellar astronomy to galactic and extragalactic astrophysics and cosmology

*an introduction to modern astrophysics 2nd edition solutions* - Aug 16 2023

web now with expert verified solutions from an introduction to modern astrophysics 2nd edition you ll learn how to solve your toughest homework problems our resource for an introduction to modern astrophysics includes answers to chapter exercises as well as detailed information to walk you through the process step by step

*introduction to modern astrophysics 2nd edition carroll solutions* - Nov 07 2022

web apr 5 2019 full download goo gl hesnkf introduction to modern astrophysics 2nd edition carroll solutions manual introduction to modern astrophysics carroll 2nd edition solutions manual

**carroll b w ostlie d a an introduction to modern astrophysics** - Aug 04 2022

web view assessment carroll b w ostlie d a an introduction to modern astrophysics solution manual from ae 21001 at indian institute of technology kharagpur chapter 1 the celestial sphere 1 1 from

*solutions for an introduction to modern astrophysics 2nd* - Jul 15 2023

web step by step video answers explanations by expert educators for all an introduction to modern astrophysics 2nd by bradley w carroll dale a ostlie only on numerade com

[an introduction to modern astrophysics and cosmology](#) - Dec 08 2022

web jun 30 2006 similarly the solar wind value  $m w 2.5 \times 10^{-14} m yr^{-1}$  carroll ostlie 2006 and  $\Omega = 3.106 \times 10^{-8} s^{-1}$  is the angular frequency of the sun using an orbital period of 24 days

*an introduction to modern astrophysics carroll bradley w ostlie* - Sep 05 2022

web dec 11 1995 buy an introduction to modern astrophysics on amazon com free shipping on qualified orders

**an introduction to modern astrophysics solutions manual chegg** - May 13 2023

web get instant access to our step by step an introduction to modern astrophysics solutions manual our solution manuals are written by chegg experts so you can be assured of the highest quality

**prentice hall biology chapter 31 birds avantevapehouse com** - Aug 03 2022

web prentice hall biology chapter 31 birds whispering the techniques of language an emotional journey through prentice hall biology chapter 31 birds in a digitally driven world where monitors reign supreme and immediate interaction drowns out the subtleties of language the profound secrets and mental subtleties hidden within words often move

**prenticehallbiologychapter31birds 2022 mis sesta** - Jan 08 2023

web the living bird prentice hall biology reproductive biology and phylogeny of birds part a prentice hall exploring life science golden winged warbler ecology conservation and habitat management the final chapter presents these standards and their applications to point count methodology resource publication elsevier health sciences

**biology prentice hall chapter 31 reptiles and birds** - Jul 14 2023

web biology what evidence would help scientists determine that colonial organisms were an early step in the evolution of multicellularity a similarities in dna or rna of early multicellular organisms and colonial unicellular organisms

*prentice hall biology chapter 1 test worksheets learny kids* - Dec 27 2021

web displaying top 8 worksheets found for prentice hall biology chapter 1 test some of the worksheets for this concept are prentice hall biology teaching resources unit 1 the nature biology prentice hall biology workbook answer key chapter 1 prentice hall biology teaching resources unit 1 the nature chapter 1 biology test answers ecosystems and

**ch 31 prentice hall biology chapter 31 reptiles and birds** - Aug 15 2023

web identify the lessons in prentice hall biology s reptiles and birds chapter with which you need help find the corresponding video lessons within this companion course chapter

*prentice hall biology chapter 31 birds book* - Mar 10 2023

web prentice hall biology chapter 31 birds developmental and cellular skeletal biology apr 21 2021 developmental and cellular skeletal biology reviews the development growth and cell biology of the skeleton the monograph provides a comprehensive overview of the aspects of skeletal biology focusing mainly on the cellular level

**ch 1 prentice hall biology chapter 1 the science of biology** - Apr 30 2022

web prentice hall biology chapter 30 nonvertebrate chordates fishes and amphibians prentice hall biology chapter 31 reptiles and birds prentice hall biology chapter 32 mammals

**prentice hall biology chapter 31 birds orientation sutd edu sg** - Nov 06 2022

web prentice hall biology chapter 31 birds meitalzanohareli com march 15th 2018 prentice hall biology chapter 31 birds pdf prentice hall biology chapter 31 birds prentice hall biology chapter 31 birds author peter beike language en united states orientation sutd edu sg 1 10

*prentice hall biology chapter 31 birds pdf forms indiraedu* - Sep 04 2022

web pages of prentice hall biology chapter 31 birds a mesmerizing literary creation penned by way of a celebrated wordsmith readers set about an enlightening odyssey unraveling the intricate significance of language and its enduring impact on our lives

**prentice hall biology free download borrow and streaming** - Apr 11 2023

web 7 volumes 28 30 cm access restricted item true addeddate 2019 01 09 18 02 44 boxid ia1383707 camera

**prentice hall biology chapter 31 birds copy forms imcost edu** - Jan 28 2022

web aspects of bird life to elucidate this basic concept in biology from genetic and physiological basics to the phenomena of bird song and bird migration it analyzes various interactions of birds with their environment and other birds lastly it shows imminent threats to birds in the anthropocene the era of global human impact

*prenticehallbiologychapter31birds dev identixweb* - Jun 01 2022

web aspects of bird life to elucidate this basic concept in biology from genetic and physiological basics to the phenomena of bird song and bird migration it analyzes various interactions of birds with their environment and other birds lastly it shows imminent threats to birds in the anthropocene the era of global human impact although it

*prentice hall biology chapter 31 birds pdf copy elections freep* - Feb 26 2022

web such is the essence of the book prentice hall biology chapter 31 birds pdf a literary masterpiece that delves deep to the significance of words and their affect our lives written by a renowned

prentice hall biology chapter 31 flashcards quizlet - May 12 2023

web structure made mostly of protein that develops from a pit in a bird s skin endotherm animal that generates its own body heat and controls its body temperature from within

*prentice hall biology chapter 31 birds bundy laverdad edu ph* - Oct 05 2022

web prentice hall biology chapter 31 birds prentice hall biology weebly april 10th 2018 chart from biology by miller and levine prentice hall publishing 2006 male birds in the population with less brilliant and showy plumage

*prentice hall biology chapter 31 flashcards quizlet* - Feb 09 2023

web produces substances that are rich in fat and protein to feed young birds stomach 1st chamber mixes acids and enzymes into food ta gizzard 2nd chamber breaks down food

*prentice hall biology chapter 31 birds vdocuments mx* - Jun 13 2023

web apr 11 2018 prentice hall biology chapter 31 birds pdf free download here chapter 31 reptiles and birds exploration biologicalive com life classes biology documents unit 205 chapter 2031 examining 20bird 20bones 20lab p

**chapter31 section01 edit reptiles modified ppt mode de biology** - Dec 07 2022

web title microsoft powerpoint chapter31 section01 edit reptiles modified ppt mode de compatibilité author ari created date

11 27 2014 11 24 19 am

**online library prentice hall biology chapter 31 birds pdf free** - Mar 30 2022

web behaviour and evolution prentice hall science explorer an introduction to systems biology biology developmental and cellular skeletal biology advances in genetics biology biology radiobiology for the radiologist strickberger s evolution annual plant reviews biology of plant metabolomics biological science homology the notochord

prentice hall biology chapter 31 birds tvl parisbytrain com - Jul 02 2022

web prentice hall biology chapter 31 birds prentice hall biology chapter 31 birds biology 9780132013499 pg 817 homework help and d birds lead to the change pearson prentice hall quia solved chapter 31 problem 24a solution prentice hall prentice hall biology chapter 32 mammals videos prentice hall biology new york pearson

impossible victory vietnam questions cyberlab sutd edu sg - Oct 04 2022

web historical wars series examines the events that led up to the vietnam war it discusses the political and military strategies that the u s and vietnamese employed

**impossible victory vietnam questions** - Apr 29 2022

web impossible victory vietnam question answers vietnam prof harris week 2 the viet nam war assignments here is an excerpt from chapter 18 the impossible zinn the

**the impossible victory vietnam flashcards quizlet** - Aug 14 2023

web study with quizlet and memorize flashcards containing terms like the declaration of independence of vietnam domino theory ngo dinh diem and more

the impossible victory vietnam history is a weapon - Jul 13 2023

web we shall have to depend on ourselves between october 1945 and february 1946 ho chi minh wrote eight letters to president truman reminding him of the self determination

impossible victory vietnam questions jetpack theaoi - Jul 01 2022

web more trusted as this zinn the impossible victory vietnam question answers it will really give you the good idea to be successful alexandria block mr stearns a p united states

**impossible victory vietnam questions uniport edu ng** - Mar 29 2022

web mar 3 2023 impossible victory vietnam questions 1 7 downloaded from uniport edu ng on march 3 2023 by guest impossible victory vietnam questions right here we

see the moment Biden press conference ends abruptly in - Jan 07 2023

web sep 11 2023 white house press secretary karine Jean Pierre on Sunday abruptly ended a news conference with president Joe Biden in Hanoi Vietnam at one point taking a

*impossible victory vietnam questions jetpack theaoi* - May 31 2022

web impossible victory vietnam of howard zinn s a people s history of the united states budapest san francisco chapter 18 the impossible victory vietnam historical

the impossible victory vietnam essay example studentshare - Feb 08 2023

web the impossible victory vietnam the international perception of the us in terms of wealth changed a lot after her invasion of vietnam since the us was seen as an aggressive

**the impossible victory vietnam essay writing planet** - Nov 24 2021

web the impossible victory vietnam introduction chapter eighteen talks about america s vietnam war and how america resisted to it zinn 2009 zinn believes that

the impossible victory vietnam essay example wepapers - Mar 09 2023

web jan 2 2021 question 1 the vietnam war had a significant impact on the international perception of the united states in terms of wealth fame and power in more negative

**impossible victory vietnam questions uniport edu ng** - Dec 26 2021

web mar 18 2023 impossible victory vietnam questions 1 8 downloaded from uniport edu ng on march 18 2023 by guest impossible victory vietnam questions as

impossible victory vietnam questions moodle unap edu - Oct 24 2021

web states supposedly were backing the regime of vietnam these are really hard questions the impossible victory vietnam essay example nobody downloaded yet extract of

impossible victory vietnam questions uniport edu ng - Sep 22 2021

web may 6 2023 impossible victory vietnam questions 2 10 downloaded from uniport edu ng on may 6 2023 by guest strategy and the art of war by way of the star

the impossible victory vietnam history is a weapon - Aug 22 2021

web chapter 18 the impossible victory vietnam from 1964 to 1972 the wealthiest and most powerful nation in the history of the world made a maximum military effort with

*impossible victory vietnam questions uniport edu ng* - Feb 25 2022

web apr 27 2023 impossible victory vietnam questions 2 8 downloaded from uniport edu ng on april 27 2023 by guest establishment which failed to adapt to the

**a people s history of the united states chapter 18 the** - Jun 12 2023

web need help with chapter 18 the impossible victory vietnam in howard zinn s a people s history of the united states check out our revolutionary side by side summary and

[impossible victory vietnam questions org hob](#) - Sep 03 2022

web mar 4 2023 impossible victory vietnam questions below deepening involvement 1945 1965 richard winship stewart  
2013 01 03 the u s army in the vietnam war

**impossible victory vietnam questions uniport edu ng** - Jan 27 2022

web impossible victory vietnam questions 2 8 downloaded from uniport edu ng on may 17 2023 by guest the domestic unrest  
and protest in the states and the day to day military

**impossible victory vietnam answers** - Dec 06 2022

web question of why the united states lost the war in vietnam they examine four major factors that affected u s policy how  
the war was perceived how it was fought the possible

[impossiblevictoryvietnamquestions dev spacetime nypl](#) - May 11 2023

web impossible victory what should we tell our children about vietnam vietnam s forgotten army dereliction of duty no sure  
victory america and the world public

**zinn chapter 18 flashcards quizlet** - Apr 10 2023

web 1 10 to prevent the unification of vietnam click the card to flip flashcards learn test match created by nide teacher the  
impossible victory vietnam johnny brielle

[impossiblevictoryvietnamquestions download only](#) - Nov 05 2022

web no sure victory the best and the brightest buying time 1965 1966 against the vietnam war the tet offensive peace  
impossible war unlikely victory at any cost choosing

[impossiblevictoryvietnamquestions copy book arcadedentaltx](#) - Aug 02 2022

web the u s army in vietnam impossible victory our vietnam they marched into sunlight the lessons of the vietnam war  
rethinking america s past unheralded victory why