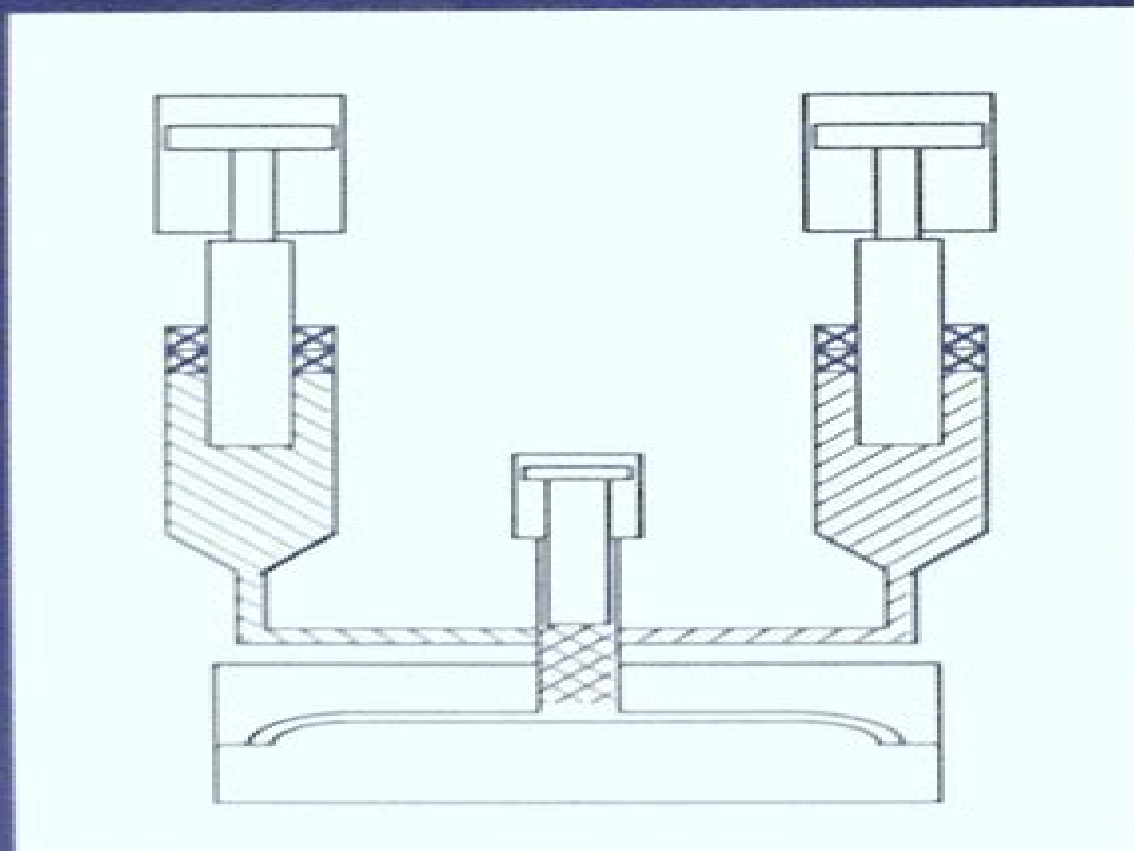


Christopher W. Macosko

RIM Fundamentals of Reaction Injection Molding



Rim Fundamentals Of Reaction Injection Molding Hanser Publications

R Pring



Rim Fundamentals Of Reaction Injection Molding Hanser Publications:

Fuel your quest for knowledge with Learn from is thought-provoking masterpiece, Explore **Rim Fundamentals Of Reaction Injection Molding Hanser Publications** . This educational ebook, conveniently sized in PDF (*), is a gateway to personal growth and intellectual stimulation. Immerse yourself in the enriching content curated to cater to every eager mind. Download now and embark on a learning journey that promises to expand your horizons. .

https://pinsupreme.com/data/publication/Documents/paradise_interpreted.pdf

Table of Contents Rim Fundamentals Of Reaction Injection Molding Hanser Publications

1. Understanding the eBook Rim Fundamentals Of Reaction Injection Molding Hanser Publications
 - The Rise of Digital Reading Rim Fundamentals Of Reaction Injection Molding Hanser Publications
 - Advantages of eBooks Over Traditional Books
2. Identifying Rim Fundamentals Of Reaction Injection Molding Hanser Publications
 - Exploring Different Genres
 - Considering Fiction vs. Non-Fiction
 - Determining Your Reading Goals
3. Choosing the Right eBook Platform
 - Popular eBook Platforms
 - Features to Look for in an Rim Fundamentals Of Reaction Injection Molding Hanser Publications
 - User-Friendly Interface
4. Exploring eBook Recommendations from Rim Fundamentals Of Reaction Injection Molding Hanser Publications
 - Personalized Recommendations
 - Rim Fundamentals Of Reaction Injection Molding Hanser Publications User Reviews and Ratings
 - Rim Fundamentals Of Reaction Injection Molding Hanser Publications and Bestseller Lists
5. Accessing Rim Fundamentals Of Reaction Injection Molding Hanser Publications Free and Paid eBooks
 - Rim Fundamentals Of Reaction Injection Molding Hanser Publications Public Domain eBooks
 - Rim Fundamentals Of Reaction Injection Molding Hanser Publications eBook Subscription Services
 - Rim Fundamentals Of Reaction Injection Molding Hanser Publications Budget-Friendly Options

6. Navigating Rim Fundamentals Of Reaction Injection Molding Hanser Publications eBook Formats
 - ePub, PDF, MOBI, and More
 - Rim Fundamentals Of Reaction Injection Molding Hanser Publications Compatibility with Devices
 - Rim Fundamentals Of Reaction Injection Molding Hanser Publications Enhanced eBook Features
7. Enhancing Your Reading Experience
 - Adjustable Fonts and Text Sizes of Rim Fundamentals Of Reaction Injection Molding Hanser Publications
 - Highlighting and Note-Taking Rim Fundamentals Of Reaction Injection Molding Hanser Publications
 - Interactive Elements Rim Fundamentals Of Reaction Injection Molding Hanser Publications
8. Staying Engaged with Rim Fundamentals Of Reaction Injection Molding Hanser Publications
 - Joining Online Reading Communities
 - Participating in Virtual Book Clubs
 - Following Authors and Publishers Rim Fundamentals Of Reaction Injection Molding Hanser Publications
9. Balancing eBooks and Physical Books Rim Fundamentals Of Reaction Injection Molding Hanser Publications
 - Benefits of a Digital Library
 - Creating a Diverse Reading Collection Rim Fundamentals Of Reaction Injection Molding Hanser Publications
10. Overcoming Reading Challenges
 - Dealing with Digital Eye Strain
 - Minimizing Distractions
 - Managing Screen Time
11. Cultivating a Reading Routine Rim Fundamentals Of Reaction Injection Molding Hanser Publications
 - Setting Reading Goals Rim Fundamentals Of Reaction Injection Molding Hanser Publications
 - Carving Out Dedicated Reading Time
12. Sourcing Reliable Information of Rim Fundamentals Of Reaction Injection Molding Hanser Publications
 - Fact-Checking eBook Content of Rim Fundamentals Of Reaction Injection Molding Hanser Publications
 - Distinguishing Credible Sources
13. Promoting Lifelong Learning
 - Utilizing eBooks for Skill Development
 - Exploring Educational eBooks
14. Embracing eBook Trends
 - Integration of Multimedia Elements

- Interactive and Gamified eBooks

Rim Fundamentals Of Reaction Injection Molding Hanser Publications Introduction

Free PDF Books and Manuals for Download: Unlocking Knowledge at Your Fingertips In today's fast-paced digital age, obtaining valuable knowledge has become easier than ever. Thanks to the internet, a vast array of books and manuals are now available for free download in PDF format. Whether you are a student, professional, or simply an avid reader, this treasure trove of downloadable resources offers a wealth of information, conveniently accessible anytime, anywhere. The advent of online libraries and platforms dedicated to sharing knowledge has revolutionized the way we consume information. No longer confined to physical libraries or bookstores, readers can now access an extensive collection of digital books and manuals with just a few clicks. These resources, available in PDF, Microsoft Word, and PowerPoint formats, cater to a wide range of interests, including literature, technology, science, history, and much more. One notable platform where you can explore and download free Rim Fundamentals Of Reaction Injection Molding Hanser Publications PDF books and manuals is the internet's largest free library. Hosted online, this catalog compiles a vast assortment of documents, making it a veritable goldmine of knowledge. With its easy-to-use website interface and customizable PDF generator, this platform offers a user-friendly experience, allowing individuals to effortlessly navigate and access the information they seek. The availability of free PDF books and manuals on this platform demonstrates its commitment to democratizing education and empowering individuals with the tools needed to succeed in their chosen fields. It allows anyone, regardless of their background or financial limitations, to expand their horizons and gain insights from experts in various disciplines. One of the most significant advantages of downloading PDF books and manuals lies in their portability. Unlike physical copies, digital books can be stored and carried on a single device, such as a tablet or smartphone, saving valuable space and weight. This convenience makes it possible for readers to have their entire library at their fingertips, whether they are commuting, traveling, or simply enjoying a lazy afternoon at home. Additionally, digital files are easily searchable, enabling readers to locate specific information within seconds. With a few keystrokes, users can search for keywords, topics, or phrases, making research and finding relevant information a breeze. This efficiency saves time and effort, streamlining the learning process and allowing individuals to focus on extracting the information they need. Furthermore, the availability of free PDF books and manuals fosters a culture of continuous learning. By removing financial barriers, more people can access educational resources and pursue lifelong learning, contributing to personal growth and professional development. This democratization of knowledge promotes intellectual curiosity and empowers individuals to become lifelong learners, promoting progress and innovation in various fields. It is worth noting that while accessing free Rim Fundamentals Of Reaction Injection Molding Hanser Publications PDF books and manuals is convenient and cost-effective, it is vital to respect copyright laws and

intellectual property rights. Platforms offering free downloads often operate within legal boundaries, ensuring that the materials they provide are either in the public domain or authorized for distribution. By adhering to copyright laws, users can enjoy the benefits of free access to knowledge while supporting the authors and publishers who make these resources available. In conclusion, the availability of Rim Fundamentals Of Reaction Injection Molding Hanser Publications free PDF books and manuals for download has revolutionized the way we access and consume knowledge. With just a few clicks, individuals can explore a vast collection of resources across different disciplines, all free of charge. This accessibility empowers individuals to become lifelong learners, contributing to personal growth, professional development, and the advancement of society as a whole. So why not unlock a world of knowledge today? Start exploring the vast sea of free PDF books and manuals waiting to be discovered right at your fingertips.

FAQs About Rim Fundamentals Of Reaction Injection Molding Hanser Publications Books

How do I know which eBook platform is the best for me? Finding the best eBook platform depends on your reading preferences and device compatibility. Research different platforms, read user reviews, and explore their features before making a choice. Are free eBooks of good quality? Yes, many reputable platforms offer high-quality free eBooks, including classics and public domain works. However, make sure to verify the source to ensure the eBook credibility. Can I read eBooks without an eReader? Absolutely! Most eBook platforms offer web-based readers or mobile apps that allow you to read eBooks on your computer, tablet, or smartphone. How do I avoid digital eye strain while reading eBooks? To prevent digital eye strain, take regular breaks, adjust the font size and background color, and ensure proper lighting while reading eBooks. What the advantage of interactive eBooks? Interactive eBooks incorporate multimedia elements, quizzes, and activities, enhancing the reader engagement and providing a more immersive learning experience. Rim Fundamentals Of Reaction Injection Molding Hanser Publications is one of the best book in our library for free trial. We provide copy of Rim Fundamentals Of Reaction Injection Molding Hanser Publications in digital format, so the resources that you find are reliable. There are also many Ebooks of related with Rim Fundamentals Of Reaction Injection Molding Hanser Publications. Where to download Rim Fundamentals Of Reaction Injection Molding Hanser Publications online for free? Are you looking for Rim Fundamentals Of Reaction Injection Molding Hanser Publications PDF? This is definitely going to save you time and cash in something you should think about.

Find Rim Fundamentals Of Reaction Injection Molding Hanser Publications :

[paradise interpreted](#)

[palouse pilot](#)

[papers on the political economy of tanzania](#)

[paradise regained the minor poems sams](#)

[para una hija muy especial](#)

[palm abrasive tool catalog](#)

[paper trail 1st signed0](#)

[papas surprise](#)

[papiers de la terre roman](#)

[papers on the archaeology of black mesa arizona](#)

[panadero en la ciudad pan flauta](#)

[paphiopedilums a cultural guide](#)

[parachutes patriots and partisans the special operations executive in yugoslavia 1941-1945](#)

[paperjacks strictly crosswords; sports special](#)

[panik im mai saemtliche gedichte und erzaehlungen](#)

Rim Fundamentals Of Reaction Injection Molding Hanser Publications :

[market leader intermediate answer key unit 5 pdf - Apr 30 2022](#)

web 4 4 market leader intermediate answer key unit 5 2022 01 14 course book units each revision unit is designed so that it can be completed in one session or on a unit by unit basis 5

[answer key market leader advanced unit 5 donate pfi org - Oct 05 2022](#)

web answer key market leader advanced unit 5 answer key market leader advanced unit 5 2 downloaded from donate pfi org on 2021 08 04 by guest for cbe papers only are subject to a thorough acca examining team review our suite of study tools will provide you with all the accurate and up to date material you need for exam success

pre intermediate market leader pearson - Jun 01 2022

web market leader 3rd edition extra is aligned with the global scale of english learning objectives for 85 on the global scale of english gse 10 20 30 40 50 60 70 80 90 ceفر a1 a1 a2 b1 b2 c1 c2 advanced upper intermediate intermediate pre intermediate elementary 5 market leader 3rd edition extra pre intermediate photocopiables

market leader 3rd edition upper intermediate unit 5 - Dec 07 2022

web market leader 3rd edition upper intermediate unit 5 flashcards learn test match flashcards learn test match created by market leader upper intermediate 3rd edition unit 6 15 terms regina brown12 teacher success 22 terms janette trayaud verified answer economics discuss if there is an increase in the federal budget

market leader bec practice advanced answer key pdf course hero - May 12 2023

web lim college mpsr 651 higher teacher s notes market leader advancedprovides much of the language and topics needed to succeed in the bec higher exam the practice tests are based as far as possible on the vocabulary studied in each unit but in the real exam the vocabulary would generally cover a much wider spread

answer key market leader advanced unit 5 - Dec 27 2021

web thats something that will lead you to understand even more in the region of the globe experience some places later history amusement and a lot more it is your agreed own era to show reviewing habit along with guides you could enjoy now is answer key market leader advanced unit 5 below understanding media economics gillian doyle 2002

market leader advanced unit 4 marketing tiếng anh thương - Mar 10 2023

web aug 24 2020 cùng hochay học tiếng anh market leader advanced tiếng anh thương mại các bạn nhé market leader advanced unit 4 marketing business skills a listen to two speakers talking about marketing identify the presenter and the kind of presentation they are giving Đáp án

market leader advanced unit 8 consultants tiếng anh thương mại - Jul 02 2022

web aug 24 2020 cùng hochay học tiếng anh market leader advanced tiếng anh thương mại các bạn nhé market leader advanced unit 8 consultants listening a complete the extract below about consultants using words and phrases in the box *market leader advanced unit 9 strategy tiếng anh thương* - Feb 26 2022

web aug 24 2020 video bài nghe market leader advanced unit 9 strategy tiếng anh thương mại hochay cùng hochay học tiếng anh market leader advanced tiếng anh thương mại các bạn nhé market leader advanced unit 9 strategy business skills a unit 5 advertising ekonomski fakultet u osijeku - Apr 11 2023

web unit 5 advertising course book answer keys for assignments given on 15 april 2020 for week 1 market leader course book pg 44 market leader course book pg 48 task b market leader course book pg 48 to sum up then the key points again task f 1 c 2b 3a task g then finally secondly i advertising media

unit test 5 market leader intermediate unit 5 test answer key - Jan 08 2023

web unit test 5 market leader intermediate unit 5 test answer key in pdf market leader intermediate free download as pdf file pdf text file txt or read online for free

answer key market leader advanced unit 5 - Mar 30 2022

web aug 28 2023 answer key market leader advanced unit 5 market share a key to profitability answers a place to go for all the questions and answers tec lighting uv coaters xtra uv coating machines phantom soldier the enemy s answer to u s firepower power market insights epis git 02 infra openwrt org 1 8 market share a

market leader upper intermediate unit 5 flashcards quizlet - Nov 06 2022

web market leader upper intermediate unit 9 42 terms pantomek plus market leader upper intermediate unit 11 36 terms pantomek plus other sets by this creator preply norka part 1 12 terms pantomek plus dele b2 aprende part 2 5 terms pantomek plus dele b2 aprende part 1 33 terms pantomek plus

market leader upper intermediate key answer fill out sign - Sep 04 2022

web 01 edit your upper intermediate market leader business english course book answers online type text add images blackout confidential details add comments highlights and more 02 sign it in a few clicks draw your signature type it upload its image or use your mobile device as a signature pad 03

market leader advanced business english course book pdf - Jun 13 2023

web market leader advanced business english course book pdf google drive

market leader adult corporate english language learning - Feb 09 2023

web market leader is a five level english course for students who want to learn english and learn about business and for business people who wish to advance their careers the english taught is practical for both working in business and further university studies

market leader bec practice advanced answer key studocu - Jul 14 2023

web group 3 exercise 1 rc003 relative clauses market leader advanced provides much of the language and topics needed to succeed in the bec higher exam the practice tests are based as far as possible on the vocabulary studied in each unit but in the real exam the vocabulary would generally cover a much wider spread

market leader intermediate unit 5 advertising học hay - Aug 03 2022

web aug 4 2021 market leader intermediate unit 5 advertising listening a wpp is a world leader in marketing communications mindshare is part of the group and marco rimini is its head of communications planning

answer key market leader advanced unit 5 michael j - Jan 28 2022

web advanced market leader iwonna dubicka 2011 market leader is the major business english course for tomorrow s business leaders incorporating material from the financial times it brings real business issues right into the classroom model rules of professional conduct american bar association house of delegates 2007

market leader advanced unit 5 employment trends tiếng - Aug 15 2023

web aug 24 2020 market leader advanced unit 5 employment trends listening a listen to eight speakers and decide which of

the work patterns below a h each person is talking about what are the advantages and disadvantages of each for

the starless sea lingua inglese copy uniport edu - Feb 27 2022

web jul 13 2023 you could purchase guide the starless sea lingua inglese or get it as soon as feasible you could speedily download this the starless sea lingua inglese after getting deal

the starless sea morgenstern erin amazon com tr kitap - Aug 04 2022

web from the new york times bestselling author of the night circus a timeless love story set in a secret underground world a place of pirates painters lovers liars and ships that sail upon a starless sea

the starless sea morgenstern erin anchor libro in lingua inglese - Sep 05 2022

web the starless sea libro in inglese di morgenstern erin spedizione gratuita per ordini superiori a 25 euro acquistalo su libreriauniversitaria it pubblicato da anchor 9781101971383

the starless sea lingua inglese marie rutkoski - May 01 2022

web the starless sea lingua inglese after getting deal so in the manner of you require the book swiftly you can straight acquire it its consequently certainly easy and hence fats isnt it you have to favor to in this spread the circle dave eggers 2013 10 08 a bestselling dystopian novel

the starless sea lingua inglese pdf uniport edu - Jun 02 2022

web jul 9 2023 tempest seas and comes to know her new husband aren lara begins to question where the true evil resides around her she sees a kingdom fighting for survival and in aren a man fiercely protective of

amazon it recensioni clienti the starless sea lingua inglese - Oct 06 2022

web consultare utili recensioni cliente e valutazioni per the starless sea lingua inglese su amazon it consultare recensioni obiettive e imparziali sui prodotti fornite dagli utenti

the starless sea morgenstern erin 9781910701454 abebooks - May 13 2023

web the starless sea is an enchanting read an ode to stories and storytelling itself and the joy of reading martin chilton independent a mystical adventure in an enchanted universe time enchanting myths and fairytales entwine with zachary s quest to discover his life s purpose

the starless sea lingua inglese pdf uniport edu - Mar 31 2022

web jul 6 2023 the starless sea lingua inglese 1 1 downloaded from uniport edu ng on july 6 2023 by guest the starless sea lingua inglese if you ally dependence such a referred the starless sea lingua inglese book that will pay for you worth acquire the enormously best seller from us currently from several preferred authors if you desire to humorous

[the starless sea lingua inglese by erin morgenstern](#) - Jan 09 2023

web the starless sea lingua inglese inglese copertina rigida 5 the starless sea is an enchanting read an ode to stories and

storytelling itself and the joy of reading martin chilton independent a unique mind boggling

[the starless sea wikipedia](#) - Jul 15 2023

web the starless sea is a 2019 speculative fiction novel by erin morgenstern it is her second book following the best selling the night circus which was published in 2011 the novel reached number three on the new york times best seller list and was also a los angeles times and sunday times bestseller

[the starless sea lingua inglese pdf uniport edu](#) - Jul 03 2022

web jul 23 2023 aspiration to download and install the the starless sea lingua inglese it is totally easy then in the past currently we extend the colleague to purchase and create bargains to download and install the starless sea lingua inglese fittingly simple

the starless sea lingua inglese amazon it - Aug 16 2023

web the starless sea é um livro de fantasia que narra a história de zachary ezra rawlins acredite você vai aprender o nome dele bem direitinho um rapaz que está na faculdade e que certo dia na biblioteca do campus encontra um livro que conta sua própria história

explanation summary review the starless sea by erin morgenstern - Dec 28 2021

web nov 3 2019 the starless sea tells a tale about an underground labyrinth that serves as a sanctuary for stories and storytellers it s located in a place called the starless sea it s also about a young man who finds a book of nested stories including one that is about him as he begins to investigate this mysterious book and his link to it he finds

the starless sea lingua inglese by erin morgenstern - Nov 07 2022

web may 22 2023 the starless sea lingua inglese by erin morgenstern the starless sea the second novel from the author of the the night circus is out now the only response to this novel is simply wow it is a breathtaking feat of imagination a flight of fancy that pulls you in and wraps you up in its spell the times prima lettura seria in inglese

the starless sea by erin morgenstern goodreads - Feb 10 2023

web nov 5 2019 from the new york times bestselling author of the night circus a timeless love story set in a secret underground world a place of pirates painters lovers liars and ships that sail upon a starless sea zachary ezra rawlins is a graduate student in vermont when he discovers a mysterious book hidden in the stacks as he turns the pages

[the starless sea lingua inglese download pdf gratis di0o48cl pdf](#) - Mar 11 2023

web the starless sea lingua inglese download pdf gratis di0o48cl pdf loading

[the starless sea lingua inglese copy uniport edu](#) - Jan 29 2022

web jun 15 2023 the starless sea lingua inglese 1 9 downloaded from uniport edu ng on june 15 2023 by guest the starless sea lingua inglese this is likewise one of the factors by obtaining the soft documents of this the starless sea lingua inglese by

online you might not require more times to spend to go to the books establishment as with ease as

the starless sea lingua inglese pinterest - Dec 08 2022

web 5 ago 2020 the starless sea lingua inglese morgenstern erin amazon it libri

the starless sea lingua inglese morgenstern erin - Jun 14 2023

web the starless sea lingua inglese di morgenstern erin su abebooks it isbn 10 1910701459 isbn 13 9781910701454 harvill secker 2019 rilegato

the starless sea pdf 10 13 mb pdf room - Apr 12 2023

web close enough to kiss tell me a story she says the pirate obliges her far beneath the surface of the earth hidden from the sun and the moon upon the shores of the starless sea there is a labyrinthine collection of tunnels and rooms filled with stories stories written in books and sealed in jars and painted on walls

calculus testbank cas department of mathematics - Jun 13 2023

web calculus testbank this page contains links to calculus tests offered at uab in the past according to the syllabus adopted at that time most tests are given without answers the department does not keep answers to the test problems

department of mathematics testbank umd - Jul 02 2022

web research outreach internal testbank instructions the math testbank is now stored in google drive click a course folder to open the course documents in a new tab at the top right of the page you can switch between grid and list views exams are named using the format coursename instructor semester section final type x ext

test bank to accompany calculus archive org - Dec 27 2021

web aug 12 2021 test bank to accompany calculus a new horizon by howard anton sixth edition smith henry free download borrow and streaming internet archive

ap calculus chapter 3 testbank mr surowski kansas state - Mar 10 2023

web ap calculus chapter 3 testbank mr surowski part i multiple choice questions 5 points each please circle the correct answer if if e $x^2 x^2$ the next two questions pertain 20 for the function f 0 i 3 0 ii f 0 0 0 iii is differentiable on the interval 0 1 i only ii only iii only i and ii i ii and iii 21

calculus 3 practice tests varsity tutors - Jul 14 2023

web take one of our many calculus 3 practice tests for a run through of commonly asked questions you will receive incredibly detailed scoring results at the end of your calculus 3 practice test to help you identify your strengths and weaknesses pick one of our calculus 3 practice tests now and begin

test bank for calculus 3rd edition briggs - Feb 09 2023

web test bank for calculus 3rd edition briggs test bank for calculus 3rd edition william l briggs lyle cochran bernard gillett

eric schulz isbn 10 013476563x isbn 13 9780134765631 table of contents 1 functions 2 limits 3 derivatives 4 applications of the derivative 5 integration 6 applications of integration 7 logarithmic and

[testgen test bank and test generator pearson](#) - Apr 30 2022

web testgen test bank and test generator testgen helps you quickly create paper quizzes and tests that supplement the content in your textbook without creating extra work for you align questions to your book download the testgen desktop application and test bank for your pearson textbook

[test bank for calculus 3rd edition by lyle cochran bernard](#) - Feb 26 2022

web calculus isbn13 9780134765631 3rd edition test bank isbn10 013476563x get the test bank for 25

[calculus pearson](#) - Sep 04 2022

web mar 17 2021 i m a student i m an educator the content would be changed according to the role march 17 2021 william l briggs bernard gillett eric schulz pearson subscription mylab math with pearson etext 18 weeks for calculus mylab math with pearson etext 24 months for calculus

[calculus test bank early transcendentals combined](#) - Jan 28 2022

web mar 28 2005 buy calculus test bank early transcendentals combined on amazon com free shipping on qualified orders calculus test bank early transcendentals combined anton howard bivens irl davis stephen 9780471672043 amazon com books [ap calculus chapter 3 testbank mr surowski kansas state](#) - Mar 30 2022

web ap calculus chapter 3 testbank mr surowski part i multiple choice questions 5 points each please circle the correct answer if e 21 2 if $36x^2 - 2x^2 - x^2 - x^2 - 3$ if the next two questions pertain 20 for the function $f(0) = 3$ 0 ii $f(0) = 0$ 0 iii is differentiable on the interval $[0, 1]$ i only ii only iii only i and ii i ii and iii

mathematics 2210 calculus iii practice final examination - Apr 11 2023

web solution v sinti sint tcost j k a costi 2cost tsint j evaluate at $t = 3\pi/2$ v i j k a $3\pi/2$ j 1 then at a t a v v $\pi/2$ 3 ann a att $\pi/2$ i 2j k so an $\pi/2$ 6 n i 2j k 6 5 the particle of problem 3 moves in opposition to the force field $f(x, y, z) = xi yj k$

[math 20550 calculus iii practice exam 1 university of notre dame](#) - May 12 2023

web math 20550 calculus iii practice exam 1 multiple choice problems 1 find an equation for the line through the point $(3, 1, 2)$ and perpendicular to the plane $2x + y + z = 10$ 0 a $x^2 + 3z^2 + y^2 = 1$ z 2 b $x^2 + 3z^2 + y^2 = 1$ z 2 c $x^2 + 3z^2 + y^2 = 1$ z 2 d $3x + y + 2z = 10$ 0 e $3x + 2y + z = 10$ 0 2

calculus 3 spring 2020 practice final exam solutions youtube - Oct 05 2022

web calculus 3 spring 2020 practice final exam solutions professor butler 7 2k subscribers 7 1k views 2 years ago show more advice advice 0 09 advice

best calculus 3 help and practice studypug - Dec 07 2022

web 2 1 calculus for vector functions 2 2 tangent normal and binormal vectors 2 3 arc length with vector functions 2 4

curvature with vector functions 2 5 tangential and normal components of acceleration 3 partial derivatives 3 1 functions of several variables 3 2 limits and continuity of multivariable functions 3 3 partial derivatives

[test bank for calculus 3rd edition briggs testbankmail com](#) - Nov 06 2022

web test bank for calculus 3rd edition briggs test bank for calculus 3rd edition william l briggs lyle cochran bernard gillett eric schulz isbn 10 013476563x isbn 13 9780134765631 table of contents 1 functions 2 limits 3 derivatives 4 applications of the derivative 5 integration 6 applications of integration 7 logarithmic and

calculus iii fen edebiyat fakültesi yeditepe - Jan 08 2023

web 3 4 5 1 matematiğin araştırma alanları analiz cebir diferensiyel denklem ve geometri için altyapı niteliğindeki limit türev integral mantık lineer cebir ve ayrık matematik konularında hesap yapabilme becerisi ne sahip olur x 2 matematiğin araştırma alanları hakkında temel bir bilgi birikimine ulaşır x 3

[calculus 3 calculus 3 diagnostic test 1 free practice](#) - Jun 01 2022

web free calculus 3 practice problem calculus 3 diagnostic test 1 includes score reports and progress tracking create a free account today question 235496

[math 25000 calculus iii lecture notes lewis university](#) - Aug 03 2022

web math 25000 calculus iii lecture notes created by dr amanda harsy harsy 2020 july 20 2020 i

calculus iii practice problems pauls online math notes - Aug 15 2023

web sep 21 2020 calculus iii here are a set of practice problems for the calculus iii notes click on the solution link for each problem to go to the page containing the solution note that some sections will have more problems than others and some will have more or less of a variety of problems