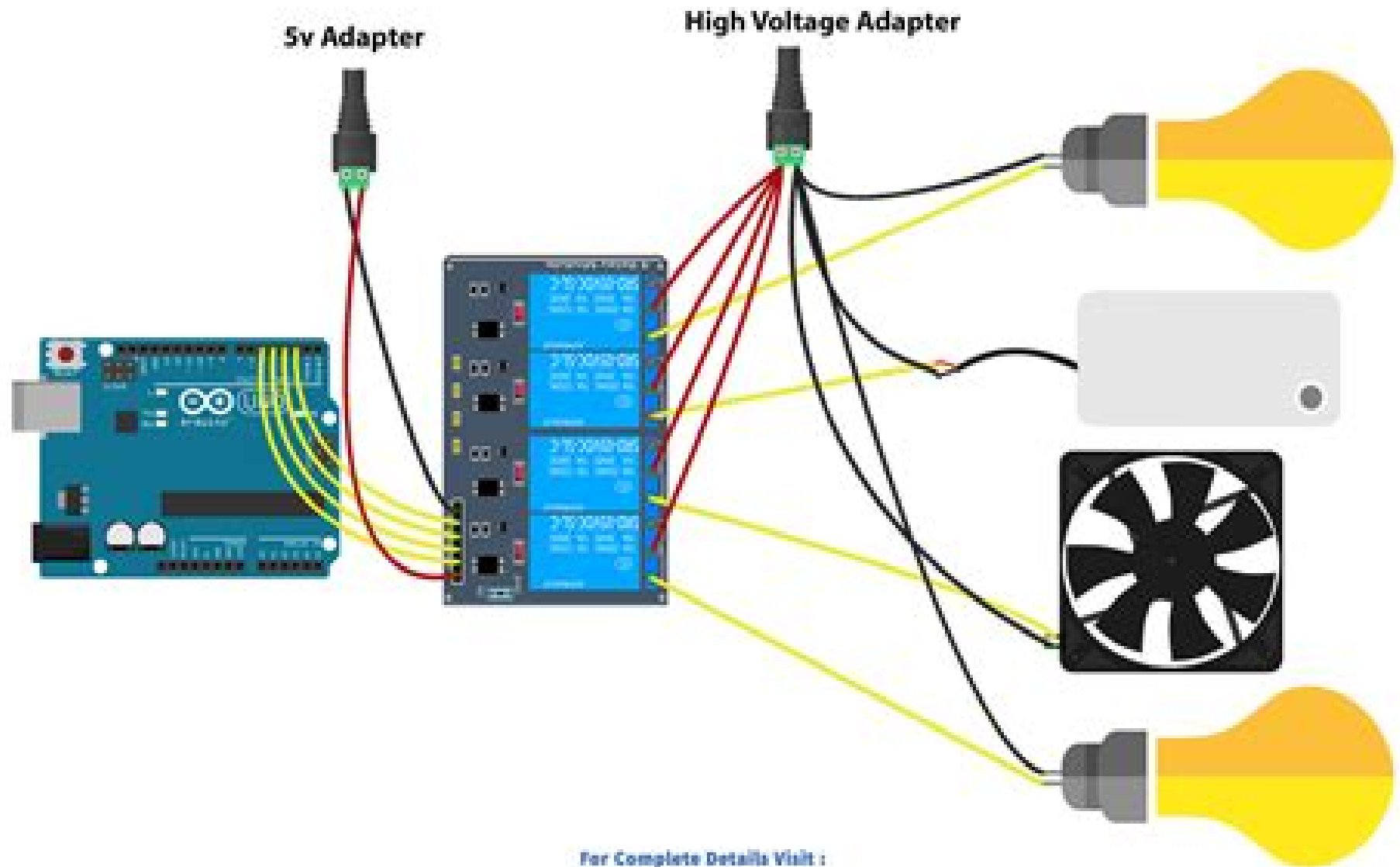


# 4 Channel Relay Module Circuit



For Complete Details Visit :  
[www.Circuits-DIY.com](http://www.Circuits-DIY.com)

# Making Of Channel 4

**M Lipman**



## **Making Of Channel 4:**

## Unveiling the Power of Verbal Beauty: An Emotional Sojourn through **Making Of Channel 4**

In a world inundated with monitors and the cacophony of instantaneous transmission, the profound power and psychological resonance of verbal artistry frequently diminish into obscurity, eclipsed by the constant assault of sound and distractions. Yet, nestled within the musical pages of **Making Of Channel 4**, a interesting perform of fictional brilliance that impulses with organic feelings, lies an wonderful journey waiting to be embarked upon. Composed by way of a virtuoso wordsmith, this exciting opus courses readers on an emotional odyssey, lightly revealing the latent potential and profound influence embedded within the complicated internet of language. Within the heart-wrenching expanse with this evocative examination, we can embark upon an introspective exploration of the book is central themes, dissect their captivating publishing type, and immerse ourselves in the indelible effect it leaves upon the depths of readers souls.

<https://pinsupreme.com/results/detail/HomePages/Principles%20Of%20Command%20And%20Control%20Afceasignal%20Magazine%20C3i%20Volume%206.pdf>

### **Table of Contents Making Of Channel 4**

1. Understanding the eBook Making Of Channel 4
  - The Rise of Digital Reading Making Of Channel 4
  - Advantages of eBooks Over Traditional Books
2. Identifying Making Of Channel 4
  - Exploring Different Genres
  - Considering Fiction vs. Non-Fiction
  - Determining Your Reading Goals
3. Choosing the Right eBook Platform
  - Popular eBook Platforms
  - Features to Look for in an Making Of Channel 4
  - User-Friendly Interface
4. Exploring eBook Recommendations from Making Of Channel 4

- 
- Personalized Recommendations
  - Making Of Channel 4 User Reviews and Ratings
  - Making Of Channel 4 and Bestseller Lists
5. Accessing Making Of Channel 4 Free and Paid eBooks
    - Making Of Channel 4 Public Domain eBooks
    - Making Of Channel 4 eBook Subscription Services
    - Making Of Channel 4 Budget-Friendly Options
  6. Navigating Making Of Channel 4 eBook Formats
    - ePub, PDF, MOBI, and More
    - Making Of Channel 4 Compatibility with Devices
    - Making Of Channel 4 Enhanced eBook Features
  7. Enhancing Your Reading Experience
    - Adjustable Fonts and Text Sizes of Making Of Channel 4
    - Highlighting and Note-Taking Making Of Channel 4
    - Interactive Elements Making Of Channel 4
  8. Staying Engaged with Making Of Channel 4
    - Joining Online Reading Communities
    - Participating in Virtual Book Clubs
    - Following Authors and Publishers Making Of Channel 4
  9. Balancing eBooks and Physical Books Making Of Channel 4
    - Benefits of a Digital Library
    - Creating a Diverse Reading Collection Making Of Channel 4
  10. Overcoming Reading Challenges
    - Dealing with Digital Eye Strain
    - Minimizing Distractions
    - Managing Screen Time
  11. Cultivating a Reading Routine Making Of Channel 4
    - Setting Reading Goals Making Of Channel 4
    - Carving Out Dedicated Reading Time
  12. Sourcing Reliable Information of Making Of Channel 4

- 
- Fact-Checking eBook Content of Making Of Channel 4
  - Distinguishing Credible Sources
13. Promoting Lifelong Learning
- Utilizing eBooks for Skill Development
  - Exploring Educational eBooks
14. Embracing eBook Trends
- Integration of Multimedia Elements
  - Interactive and Gamified eBooks

### **Making Of Channel 4 Introduction**

Making Of Channel 4 Offers over 60,000 free eBooks, including many classics that are in the public domain. Open Library: Provides access to over 1 million free eBooks, including classic literature and contemporary works. Making Of Channel 4 Offers a vast collection of books, some of which are available for free as PDF downloads, particularly older books in the public domain. Making Of Channel 4 : This website hosts a vast collection of scientific articles, books, and textbooks. While it operates in a legal gray area due to copyright issues, its a popular resource for finding various publications. Internet Archive for Making Of Channel 4 : Has an extensive collection of digital content, including books, articles, videos, and more. It has a massive library of free downloadable books. Free-eBooks Making Of Channel 4 Offers a diverse range of free eBooks across various genres. Making Of Channel 4 Focuses mainly on educational books, textbooks, and business books. It offers free PDF downloads for educational purposes. Making Of Channel 4 Provides a large selection of free eBooks in different genres, which are available for download in various formats, including PDF. Finding specific Making Of Channel 4, especially related to Making Of Channel 4, might be challenging as theyre often artistic creations rather than practical blueprints. However, you can explore the following steps to search for or create your own Online Searches: Look for websites, forums, or blogs dedicated to Making Of Channel 4, Sometimes enthusiasts share their designs or concepts in PDF format. Books and Magazines Some Making Of Channel 4 books or magazines might include. Look for these in online stores or libraries. Remember that while Making Of Channel 4, sharing copyrighted material without permission is not legal. Always ensure youre either creating your own or obtaining them from legitimate sources that allow sharing and downloading. Library Check if your local library offers eBook lending services. Many libraries have digital catalogs where you can borrow Making Of Channel 4 eBooks for free, including popular titles. Online Retailers: Websites like Amazon, Google Books, or Apple Books often sell eBooks. Sometimes, authors or publishers offer promotions or free periods for certain books. Authors Website Occasionally, authors provide excerpts or short stories for free on their websites. While this might not be the Making Of

---

Channel 4 full book , it can give you a taste of the authors writing style.Subscription Services Platforms like Kindle Unlimited or Scribd offer subscription-based access to a wide range of Making Of Channel 4 eBooks, including some popular titles.

### **FAQs About Making Of Channel 4 Books**

How do I know which eBook platform is the best for me? Finding the best eBook platform depends on your reading preferences and device compatibility. Research different platforms, read user reviews, and explore their features before making a choice. Are free eBooks of good quality? Yes, many reputable platforms offer high-quality free eBooks, including classics and public domain works. However, make sure to verify the source to ensure the eBook credibility. Can I read eBooks without an eReader? Absolutely! Most eBook platforms offer webbased readers or mobile apps that allow you to read eBooks on your computer, tablet, or smartphone. How do I avoid digital eye strain while reading eBooks? To prevent digital eye strain, take regular breaks, adjust the font size and background color, and ensure proper lighting while reading eBooks. What the advantage of interactive eBooks? Interactive eBooks incorporate multimedia elements, quizzes, and activities, enhancing the reader engagement and providing a more immersive learning experience. Making Of Channel 4 is one of the best book in our library for free trial. We provide copy of Making Of Channel 4 in digital format, so the resources that you find are reliable. There are also many Ebooks of related with Making Of Channel 4. Where to download Making Of Channel 4 online for free? Are you looking for Making Of Channel 4 PDF? This is definitely going to save you time and cash in something you should think about. If you trying to find then search around for online. Without a doubt there are numerous these available and many of them have the freedom. However without doubt you receive whatever you purchase. An alternate way to get ideas is always to check another Making Of Channel 4. This method for see exactly what may be included and adopt these ideas to your book. This site will almost certainly help you save time and effort, money and stress. If you are looking for free books then you really should consider finding to assist you try this. Several of Making Of Channel 4 are for sale to free while some are payable. If you arent sure if the books you would like to download works with for usage along with your computer, it is possible to download free trials. The free guides make it easy for someone to free access online library for download books to your device. You can get free download on free trial for lots of books categories. Our library is the biggest of these that have literally hundreds of thousands of different products categories represented. You will also see that there are specific sites catered to different product types or categories, brands or niches related with Making Of Channel 4. So depending on what exactly you are searching, you will be able to choose e books to suit your own need. Need to access completely for Campbell Biology Seventh Edition book? Access Ebook without any digging. And by having access to our ebook online or by storing it on your computer, you have convenient answers with Making Of Channel 4 To get started

finding Making Of Channel 4, you are right to find our website which has a comprehensive collection of books online. Our library is the biggest of these that have literally hundreds of thousands of different products represented. You will also see that there are specific sites catered to different categories or niches related with Making Of Channel 4 So depending on what exactly you are searching, you will be able to choose ebook to suit your own need. Thank you for reading Making Of Channel 4. Maybe you have knowledge that, people have search numerous times for their favorite readings like this Making Of Channel 4, but end up in harmful downloads. Rather than reading a good book with a cup of coffee in the afternoon, instead they juggled with some harmful bugs inside their laptop. Making Of Channel 4 is available in our book collection an online access to it is set as public so you can download it instantly. Our digital library spans in multiple locations, allowing you to get the most less latency time to download any of our books like this one. Merely said, Making Of Channel 4 is universally compatible with any devices to read.

### **Find Making Of Channel 4 :**

**principles of command and control afceasignal magazine c3i volume 6**

prison camps in the civil war

principles of toxicology

principles of political economy reprints of economic classics

principles of terrestrial ecosystem ecology

**prints best logos and symbols**

principles of spiritualism the only introduction youll ever need

**prismatic metropolis inequality in los angeles**

*private life of an elizabethan lady*

principles of leisure counseling

*private matters american attitudes toward childbearing and infant*

**prison inc a convict exposes life inside a private prison**

private pilot maneuvers manual and workbook

*priskorene rozmnozhennia maloposhirenikh derevnikh listianikh roslin na pivdennomu skhodi ukraini*

private elisha stockwell jr sees the civ



---

**Making Of Channel 4 :**

*business law barron s business review amazon com* - Jul 15 2023

web paperback 19 43 25 49 29 used from 10 00 26 new from 16 77 digital 19 00 1 used from 19 00 titles in barron s business review series are widely used as classroom supplements to college textbooks and often serve as a main textbook in business brush up programs business law focuses on the importance of legal theory in the everyday

**business law 5th edition emerson ams istanbul edu tr** - Jan 09 2023

web edition brendan pentony stephen business law 5th fifthbusiness law 5th fifth edition byemerson pdf find many great new used options and get the best deals for business law barron s business law 5th fifth edition by robert w emerson at the best online prices at ebay

business law book by robert w emerson j d simon - Jun 14 2023

web business law focuses on the importance of legal theory in the everyday business world explaining such subjects as tort responsibility government regulations contracts environmental law product liability consumer protection and international law among many other topics

**barrons business law 5th edition emerson 2022 interna** - Jun 02 2022

web barrons business law 5th edition emerson is available in our digital library an online access to it is set as public so you can get it instantly our book servers spans in multiple locations allowing you to get the most less latency time to

barrons business law 5th edition emerson pdf - Feb 10 2023

web relating to accounting taxation advertising business law communications transportation computers and the internet insurance international business management marketing real

*barron business law 5th edition 1 1 downloaded from coe fsu edu* - Feb 27 2022

web this barron business law 5th edition as one of the most working sellers here will agreed be among the best options to review barron business law 5th edition the course will encompass an introduction to the key elements of the law within which business operates in new zealand from a practical perspective

**barrons business law 5th edition emerson scratchpad whales** - May 01 2022

web ter introduction to business law presents the full range of business law topics in a series of fast paced brief digestible chapters making the book accessible to a wide range of stu

**read book barron business law 5th edition free download pdf** - Dec 08 2022

web read book barron business law 5th edition free download pdf business law 5th edition cengage advantage books essentials of business law cengage advantage books introduction to business law the entrepreneur s titles in barron s business review series are widely used as classroom supplements to college textbooks and often

business law barrons business law 5th fifth edition - Aug 04 2022

web february 11 2019 add comment 5th barrons business business law barron s business review series robert w business law barrons business law 5th fifth edition business law textbooks shop for new amp used college download business law barrons business law 5th fifth edition ebook business law barrons

barrons business law 5th edition emerson copy - Oct 06 2022

web 1 barrons business law 5th edition emerson cengage advantage books introduction to business law 5th mar 28 2022 web cengage advantage books introduction to business law 5th edition 9781285860398 cengage using an innovative storytelling style to bring cases and legal concepts to life introduction to business law 5e presents a full range of *barrons business law 5th edition emerson neurocme med ucla* - Dec 28 2021

web barrons business law 5th edition emerson 1 barrons business law 5th edition emerson right here we have countless books barrons business law 5th edition emerson and collections to check out we additionally have the funds for variant types and moreover type of the books to browse the satisfactory book fiction history novel

**barrons business law 5th edition emerson** - Jan 29 2022

web business law robert w emerson 2016 01 04 titles in barron s business review series are widely used as classroom supplements to college textbooks and often serve as a main textbook in business brush up programs business law focuses on the importance of legal theory in the everyday business world explaining

**barrons business law 5th edition emerson** - Mar 31 2022

web barrons business law 5th edition emerson getting the books barrons business law 5th edition emerson now is not type of challenging means you could not forlorn going in imitation of ebook growth or library or borrowing from your associates to gate them this is an very simple means to specifically acquire guide by on line

business law james marson katy ferris google books - Sep 05 2022

web james marson katy ferris oxford university press 2015 business law 611 pages marson and ferris business law demonstrates the real applicability of the law to the business world packed full of up to date and relevant examples and case law

barrons business law 5th edition emerson sibole online - Nov 07 2022

web in order to read or download barrons business law 5th edition emerson ebook you need to create a free account download now ebook includes pdf epub and kindle version

**business law robert w emerson google books** - Apr 12 2023

web robert w emerson barrons educational series 2009 business economics 768 pages back cover business law barron s business review books make excellent supplements to college textbooks and also serve as fine main texts in adult education

courses or business brush up programs all titles in this series define relevant business

**pdf business law by robert w emerson ebook perlego** - Jul 03 2022

web emerson r 2016 business law edition unavailable barrons educational series available at perlego com book 830108

business law pdf accessed 14 october 2022

editions of business law by j d emerson robert w goodreads - May 13 2023

web nov 1 2003 business law business review series published january 4th 2016 by barron s educational series 6th edition kindle edition 800 pages more details want to read rate this book 1 of 5 stars 2 of 5 stars 3 of 5 stars 4 of 5 stars 5 of 5 stars

business law barron s business law 5th fifth edition paperback - Mar 11 2023

web business law barron s business law 5th fifth edition 8581110002938 books amazon ca

business law barron s business review series 5th edition - Aug 16 2023

web oct 1 2009 business law barron s business review series emerson j d robert w 9780764142406 amazon com books books

**elementary differential geometry revised 2nd edition** - Dec 13 2022

web mar 27 2006 offer details description written primarily for students who have completed the standard first courses in calculus and linear algebra elementary differential geometry revised 2nd edition provides an introduction to the geometry of curves and surfaces

*elementary differential geometry sciencedirect* - Sep 10 2022

web written primarily for students who have completed the standard first courses in calculus and linear algebra elementary differential geometry revised 2nd edition provides an intr read full description get this book download all chapters share this book table of contents select all front matter full text access front matter copyright

**modern differential geometry for physicists 2nd edition** - May 06 2022

web mar 19 1999 chris j isham world scientific publishing company mar 19 1999 science 304 pages this edition of the invaluable text modern differential geometry for physicists contains an additional

geometry from a differentiable viewpoint edition 2 google play - Sep 22 2023

web geometry from a differentiable viewpoint edition 2 ebook written by john mccleary read this book using google play books app on your pc android ios devices download for offline

*differential geometry of curves and surfaces second edition* - Jun 07 2022

web differential geometry of curves and surfaces second edition do carmo manfredo p amazon sg books your seller account books science nature mathematics buy new s 49 82 list price s 57 00 save s 7 18 13 free delivery 14 22 november details select delivery location usually dispatched within 3 to 4 days quantity

**geometry from a differentiable viewpoint cambridge university** - Oct 23 2023

web first published 1995 second edition published 2013 printed in the united states of america catalog record for this publication is available from the british library library of congress cataloging in publication data mcclary john 1952 geometry from a differentiable viewpoint john mcclary 2nd ed p cm

*elementary differential geometry* - Feb 15 2023

web elementary differential geometry revised second edition barrett o'neill department of mathematics curvature and conjugate points 405 8 4 covering surfaces 416 8 5 mappings that preface to the revised second edition ix this book is an elementary account of the geometry of curves and surfaces it is written for students who have

**geometry from a differentiable point 2nd editi pdf wp publish** - Apr 05 2022

web the publication geometry from a differentiable point 2nd editi that you are looking for it will totally squander the time however below similar to you visit this web page it will be fittingly totally simple to acquire as capably as download lead geometry from a differentiable point 2nd editi it will not acknowledge many times as we run by

**geometry from a differentiable viewpoint 2nd editi** - Jan 14 2023

web differential equations theory technique and practice second edition educates a new generation of mathematical scientists and engineers on differential equations this edition continues to emphasize examples and mathematical modeling as well as promote analytical thinking to help students in future studies new to the second edition improved

*elementary differential geometry revised 2nd edition* - Oct 11 2022

web elsevier may 16 2006 mathematics 520 pages written primarily for students who have completed the standard first courses in calculus and linear algebra elementary differential geometry

**geometry from a differentiable viewpoint archive org** - Jul 20 2023

web by mcclary john 1952 publication date 1994 topics geometry differential publisher cambridge eng new york cambridge university press

**geometry from a differentiable viewpoint 2nd editi steven** - Dec 01 2021

web elementary differential geometry revised 2nd edition barrett o'neill 2006 05 16 written primarily for students who have completed the standard first courses in calculus and linear algebra elementary differential geometry revised 2nd edition provides an introduction to the geometry of curves and surfaces the second edition maintained

[download free geometry from a differentiable viewpoint 2nd editi](#) - Nov 12 2022

web geometry from a differentiable viewpoint 2nd editi nonlinear elliptic partial differential equations apr 24 2020 this textbook presents the essential parts of the modern theory of nonlinear partial differential equations including the calculus of variations after a short review of results in real and functional

**bibliography geometry from a differentiable viewpoint** - Jul 08 2022

web chapter information geometry from a differentiable viewpoint pp 341 350 doi doi org 10 1017 cbo9781139022248 020  
 publisher cambridge university press print publication year 2012 access options get access to the full version of this content  
 by using one of the access options below

**geometry from a differentiable viewpoint cambridge university** - May 18 2023

web cited by 2 2nd edition john mcclary vassar college new york publisher cambridge university press online publication  
 date november 2012 print publication year 2012 online isbn 9781139022248 doi doi org 10 1017 cbo9781139022248  
 subjects mathematics geometry and topology

*geometry from a differentiable viewpoint google books* - Mar 16 2023

web cambridge university press 2013 mathematics 357 pages the development of geometry from euclid to euler to  
 lobachevsky bolyai gauss and riemann is a story that is often broken into parts

*geometry from a differentiable viewpoint 1st edition* - Feb 03 2022

web jan 27 1995 geometry from a differentiable viewpoint 52 89 1 in stock this book offers a new treatment of the topic one  
 which is designed to make differential geometry an approachable subject for advanced undergraduates

**geometry from a differentiable viewpoint 2nd editi download** - Jun 19 2023

web geometry mar 14 2021 this textbook for second year graduate students is intended as an introduction to differential  
 geometry with principal emphasis on riemannian geometry chapter i explains basic definitions and gives the proofs of the  
 important theorems of whitney and sard chapter ii deals with vector fields and differential forms

**geometry differentiable viewpoint 2nd edition geometry and** - Apr 17 2023

web geometry from a differentiable viewpoint 2nd edition textbook author john mcclary vassar college new york date  
 published october 2012 availability available format paperback isbn 9780521133111 rate review 65 99 x description contents  
 resources courses about the authors

**geometry from a differentiable viewpoint academia edu** - Aug 09 2022

web the selfie generation is a term commonly used to describe people born after 1981 because of the supposed proliferation  
 of selfies they take daily if selfies indeed define a generation of people then they require close consideration as an evolution  
 of social interaction this interdisciplinary study focuses on photography as performance of

geometry from a differentiable viewpoint 2nd edition textbook chegg - Aug 21 2023

web geometry from a differentiable viewpoint 2nd edition we have solutions for your book this problem has been solved  
 problem 1e chapter ch1 problem 1e prove that two great circles bisect one another step by step solution step 1 of 3

**20 best differential geometry books of all time bookauthority** - Mar 04 2022

web differential geometry from a singularity theory viewpoint provides a new look at the fascinating and classical subject of the differential geometry of surfaces in euclidean spaces the book uses singularity theory to capture some

**discrete differential geometry wikipedia** - Jan 02 2022

web discrete differential geometry is the study of discrete counterparts of notions in differential geometry instead of smooth curves and surfaces there are polygons meshes and simplicial complexes it is used in the study of computer graphics geometry processing and topological combinatorics see also discrete laplace operator

**parts reelmaster 335 d toro** - Mar 11 2023

web parts manuals where to buy support

*toro reelmaster 3555 operator s manual pdf download manualslib* - Jun 02 2022

web view and download toro reelmaster 3555 operator s manual online traction unit reelmaster 3555 lawn mower pdf manual download also for 03910 reelmaster 3575 03820 03821 3550

**parts reelmaster 335 d 4 wheel drive toro** - May 13 2023

web parts manuals where to buy support

*toro reelmaster 335 d mower service repair manual issuu* - Nov 07 2022

web nov 13 2019 service manual reelmaster 335 d 3500 d preface this publication provides the service technician with information for troubleshooting testing and repair of m a j o r s y s t e m s a n d c o

**toro reelmaster 335 d 3500 d mower service repair manual** - Jan 29 2022

web if you own a toro reelmaster 335 d 3500 d mower this is a great manual to have this toro reelmaster 335 d 3500 d mower service manual pays much attention to practicality from the view point of users and the content is reasonably arranged no matter you are the end user or distributor or professional technician we have perfect

**reelmaster 335 d 3500 d toro** - Aug 16 2023

web read and understand the operator s manual before starting operating maintaining or repairing the ma chine become familiar with the controls and know how to stop the machine and engine quickly replacement operator s manuals are available by sending complete model and serial number of traction unit and cutting units to the toro company

**toro reelmaster 3550 operator s manual pdf download manualslib** - Jul 03 2022

web view and download toro reelmaster 3550 operator s manual online traction unit reelmaster 3550 lawn mower pdf manual download

**toro reelmaster 335 d pdf service manual download** - Feb 27 2022

web a high quality pdf service manual for an toro reelmaster 335 d the repair manual download will show you every nut and bolt on your machine and will direct you on every mechanical procedure imaginable

---

[parts reelmaster 335 d toro](#) - May 01 2022

web toro genuine parts parts manuals where to buy

**toro reelmaster 335 d service manual manualshelf** - Dec 08 2022

web service manual manuals brands toro manuals riding products reelmaster 335 d 1 2 3 4 5 6 7 8 9 10

[toro reelmaster 335 d service manual fastfixdb](#) - Sep 05 2022

web toro reelmaster 335 d service manual ford onan perkins steyr still suzuki takeuchi terex toro toyota valtra yale yamaha yanmar search for workshop owner service and parts manuals

**toro reelmaster 335 d service manual pdf download** - Jun 14 2023

web view and download toro reelmaster 335 d service manual online reelmaster 335 d lawn mower pdf manual download also for reelmaster 3500 d

**toro reelmaster 335 d manuals guidessimo com** - Jan 09 2023

web may 24 2023 manufacturer toro product name id reelmaster 335 d 1664917 category lawn mower document type service manual file path toro reelmaster 335 d 1664917 pdf last updated 07 may 2023 pages 254

**toro reelmaster 335 d mower service manual pdf download** - Dec 28 2021

web toro reelmaster 335 d mower service manual toro reelmaster 335 d mower service manuals are available for immediate download this service is available for only 5 95 per download if you have a dirty old paper copy or a pdf copy on your computer and it

**interactive manual toro** - Feb 10 2023

web this machine is a ride on reel blade lawnmower intended to be used by professional hired operators in commercial applications it is primarily designed for cutting grass on well maintained lawns in parks golf courses sports fields and on commercial grounds

**toro reelmaster 3550 d service manual pdf download** - Oct 06 2022

web view and download toro reelmaster 3550 d service manual online reelmaster 3550 d lawn mower pdf manual download also for reelmaster 3555 d reelmaster 3575 d

[toro reelmaster 335 d mower service repair manual issuu](#) - Aug 04 2022

web nov 2 2022 this publication provides the service technician with information for troubleshooting testing and repair of major systems and components on the reelmaster 335 d 3500 d

**toro reelmaster 335 d manuals manualslib** - Jul 15 2023

web we have 1 toro reelmaster 335 d manual available for free pdf download service manual toro reelmaster 335 d service manual 254 pages brand toro category lawn mower size 7 22 mb

**toro reelmaster 335 d service bulletin manualshelf** - Mar 31 2022

web page 1 customer service bulletin commercial business group reelmaster 335 d 3500 d model serial range model number 03600 03601 03602 03603 subject serial

*download toro reelmaster 335 d service manual manualslib* - Apr 12 2023

web toro reelmaster 335 d service manual brand toro category lawn mower size 7 22 mb pages 254 this manual is also suitable for reelmaster 3500 d please tick the box below to get your link