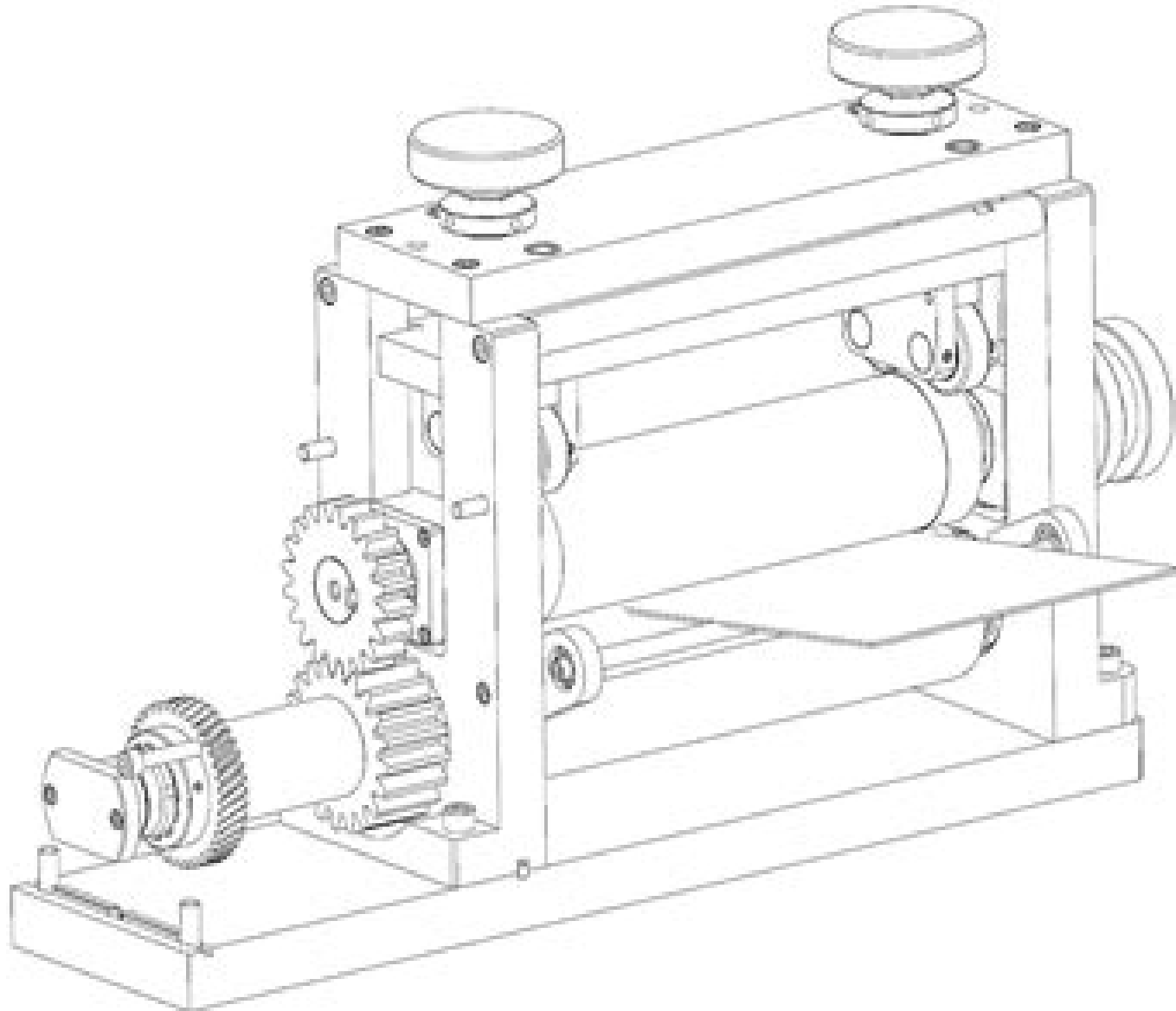


Rotary Die Cutting Machine



Rotary Diecutting Dimensional Accuracy Control

AN Whitehead



Rotary Diecutting Dimensional Accuracy Control:

Rotary Diecutting Kenneth T. Kunkel,1992-01-01 *Tappi Journal* ,1995 Whitaker's Books in Print ,1998
Paperboard Packaging ,1978 Technical Association of the Pulp and Paper Industry ,1967 Graphic Arts Literature Abstracts ,1984 Technical Review Shin Mitsubishi Jūkōgyō Kabushiki Kaisha,1992 *Thomas Register of American Manufacturers* ,2002 This basic source for identification of U S manufacturers is arranged by product in a large multi volume set Includes Products services Company profiles and Catalog file **Production Engineering** ,1983 *The American Pressman* ,1967 THOMAS REGISTER 2005 ,2005 Packaging Abstracts ,1963 *Abstract Bulletin of the Institute of Paper Chemistry* ,1987 **Thomas Register** ,2004 **The Wiley Encyclopedia of Packaging Technology** Marilyn Bakker,1986-09-22 The Wiley Encyclopedia of Packaging Technology Packaging technology is of vital importance in all manufacturing industries The Wiley Encyclopedia of Packaging Technology is designed to provide a comprehensive reference incorporating 188 topics from Acrylics to Zero Crush Concept for a wide audience of engineers technologists and scientists who seek an introduction to unfamiliar aspects of the packaging process In addition to providing an exhaustive reference for packaging engineers the book is also designed to serve for example polymer chemists developing new products It will also meet a need in all technical libraries for an authoritative basic reference on packaging The 188 entries have been written by 225 acknowledged experts in academia and industry and each has been reviewed by other experts in the field for completeness and objectivity This encyclopedia provides coverage of all stages of the packaging process from raw materials through distribution Multiple articles are included on all major topics such as bags boxes cans cartons coextrusion machinery decorating filling machinery films plastics steel and testing A significant contribution to packaging literature this encyclopedia brings together in a single volume expertise from many disciplines It contains many landmark articles such as blow molding corrugated boxes fabricated cans steel cans economics of packaging glass container design glass container manufacturing indicating devices multilayer flexible packaging paper specifications and quality assurance and international standards and practices Numerous bibliographies accompany the articles In addition the encyclopedia includes over 200 tables and nearly 600 figures all prepared with the cooperation of a distinguished Advisory Board The result is a unique informative work that will serve the diverse interests and concerns of those in the field of packaging with authoritative reliable state of the art information of the subject Index of Patents Issued from the United States Patent Office ,1984 *Index of Patents Issued from the United States Patent and Trademark Office* United States. Patent and Trademark Office,1984 Journal of Systems Management ,1976 Forms Design & Management Gibbs Myers,James M. Joyce,1978 Forming and Forging ASM Handbook Committee,ASM International. Handbook Committee,1988

This is likewise one of the factors by obtaining the soft documents of this **Rotary Diecutting Dimensional Accuracy Control** by online. You might not require more era to spend to go to the book inauguration as with ease as search for them. In some cases, you likewise accomplish not discover the broadcast Rotary Diecutting Dimensional Accuracy Control that you are looking for. It will definitely squander the time.

However below, considering you visit this web page, it will be as a result completely easy to get as without difficulty as download lead Rotary Diecutting Dimensional Accuracy Control

It will not say yes many epoch as we notify before. You can do it while feign something else at house and even in your workplace. consequently easy! So, are you question? Just exercise just what we have the funds for below as with ease as evaluation **Rotary Diecutting Dimensional Accuracy Control** what you in the manner of to read!

https://pinsupreme.com/data/publication/default.aspx/Old_Faithful_18_Writers_Present_Their_Favorite_Writing_Assignments.pdf

Table of Contents Rotary Diecutting Dimensional Accuracy Control

1. Understanding the eBook Rotary Diecutting Dimensional Accuracy Control
 - The Rise of Digital Reading Rotary Diecutting Dimensional Accuracy Control
 - Advantages of eBooks Over Traditional Books
2. Identifying Rotary Diecutting Dimensional Accuracy Control
 - Exploring Different Genres
 - Considering Fiction vs. Non-Fiction
 - Determining Your Reading Goals
3. Choosing the Right eBook Platform
 - Popular eBook Platforms
 - Features to Look for in an Rotary Diecutting Dimensional Accuracy Control
 - User-Friendly Interface

4. Exploring eBook Recommendations from Rotary Diecutting Dimensional Accuracy Control
 - Personalized Recommendations
 - Rotary Diecutting Dimensional Accuracy Control User Reviews and Ratings
 - Rotary Diecutting Dimensional Accuracy Control and Bestseller Lists
5. Accessing Rotary Diecutting Dimensional Accuracy Control Free and Paid eBooks
 - Rotary Diecutting Dimensional Accuracy Control Public Domain eBooks
 - Rotary Diecutting Dimensional Accuracy Control eBook Subscription Services
 - Rotary Diecutting Dimensional Accuracy Control Budget-Friendly Options
6. Navigating Rotary Diecutting Dimensional Accuracy Control eBook Formats
 - ePub, PDF, MOBI, and More
 - Rotary Diecutting Dimensional Accuracy Control Compatibility with Devices
 - Rotary Diecutting Dimensional Accuracy Control Enhanced eBook Features
7. Enhancing Your Reading Experience
 - Adjustable Fonts and Text Sizes of Rotary Diecutting Dimensional Accuracy Control
 - Highlighting and Note-Taking Rotary Diecutting Dimensional Accuracy Control
 - Interactive Elements Rotary Diecutting Dimensional Accuracy Control
8. Staying Engaged with Rotary Diecutting Dimensional Accuracy Control
 - Joining Online Reading Communities
 - Participating in Virtual Book Clubs
 - Following Authors and Publishers Rotary Diecutting Dimensional Accuracy Control
9. Balancing eBooks and Physical Books Rotary Diecutting Dimensional Accuracy Control
 - Benefits of a Digital Library
 - Creating a Diverse Reading Collection Rotary Diecutting Dimensional Accuracy Control
10. Overcoming Reading Challenges
 - Dealing with Digital Eye Strain
 - Minimizing Distractions
 - Managing Screen Time
11. Cultivating a Reading Routine Rotary Diecutting Dimensional Accuracy Control
 - Setting Reading Goals Rotary Diecutting Dimensional Accuracy Control
 - Carving Out Dedicated Reading Time

12. Sourcing Reliable Information of Rotary Diecutting Dimensional Accuracy Control
 - Fact-Checking eBook Content of Rotary Diecutting Dimensional Accuracy Control
 - Distinguishing Credible Sources
13. Promoting Lifelong Learning
 - Utilizing eBooks for Skill Development
 - Exploring Educational eBooks
14. Embracing eBook Trends
 - Integration of Multimedia Elements
 - Interactive and Gamified eBooks

Rotary Diecutting Dimensional Accuracy Control Introduction

Free PDF Books and Manuals for Download: Unlocking Knowledge at Your Fingertips In todays fast-paced digital age, obtaining valuable knowledge has become easier than ever. Thanks to the internet, a vast array of books and manuals are now available for free download in PDF format. Whether you are a student, professional, or simply an avid reader, this treasure trove of downloadable resources offers a wealth of information, conveniently accessible anytime, anywhere. The advent of online libraries and platforms dedicated to sharing knowledge has revolutionized the way we consume information. No longer confined to physical libraries or bookstores, readers can now access an extensive collection of digital books and manuals with just a few clicks. These resources, available in PDF, Microsoft Word, and PowerPoint formats, cater to a wide range of interests, including literature, technology, science, history, and much more. One notable platform where you can explore and download free Rotary Diecutting Dimensional Accuracy Control PDF books and manuals is the internet's largest free library. Hosted online, this catalog compiles a vast assortment of documents, making it a veritable goldmine of knowledge. With its easy-to-use website interface and customizable PDF generator, this platform offers a user-friendly experience, allowing individuals to effortlessly navigate and access the information they seek. The availability of free PDF books and manuals on this platform demonstrates its commitment to democratizing education and empowering individuals with the tools needed to succeed in their chosen fields. It allows anyone, regardless of their background or financial limitations, to expand their horizons and gain insights from experts in various disciplines. One of the most significant advantages of downloading PDF books and manuals lies in their portability. Unlike physical copies, digital books can be stored and carried on a single device, such as a tablet or smartphone, saving valuable space and weight. This convenience makes it possible for readers to have their entire library at their fingertips, whether they are commuting, traveling, or simply enjoying a lazy afternoon at home. Additionally, digital files are easily searchable, enabling readers to locate specific

information within seconds. With a few keystrokes, users can search for keywords, topics, or phrases, making research and finding relevant information a breeze. This efficiency saves time and effort, streamlining the learning process and allowing individuals to focus on extracting the information they need. Furthermore, the availability of free PDF books and manuals fosters a culture of continuous learning. By removing financial barriers, more people can access educational resources and pursue lifelong learning, contributing to personal growth and professional development. This democratization of knowledge promotes intellectual curiosity and empowers individuals to become lifelong learners, promoting progress and innovation in various fields. It is worth noting that while accessing free Rotary Diecutting Dimensional Accuracy Control PDF books and manuals is convenient and cost-effective, it is vital to respect copyright laws and intellectual property rights. Platforms offering free downloads often operate within legal boundaries, ensuring that the materials they provide are either in the public domain or authorized for distribution. By adhering to copyright laws, users can enjoy the benefits of free access to knowledge while supporting the authors and publishers who make these resources available. In conclusion, the availability of Rotary Diecutting Dimensional Accuracy Control free PDF books and manuals for download has revolutionized the way we access and consume knowledge. With just a few clicks, individuals can explore a vast collection of resources across different disciplines, all free of charge. This accessibility empowers individuals to become lifelong learners, contributing to personal growth, professional development, and the advancement of society as a whole. So why not unlock a world of knowledge today? Start exploring the vast sea of free PDF books and manuals waiting to be discovered right at your fingertips.

FAQs About Rotary Diecutting Dimensional Accuracy Control Books

What is a Rotary Diecutting Dimensional Accuracy Control PDF? A PDF (Portable Document Format) is a file format developed by Adobe that preserves the layout and formatting of a document, regardless of the software, hardware, or operating system used to view or print it. **How do I create a Rotary Diecutting Dimensional Accuracy Control PDF?** There are several ways to create a PDF: Use software like Adobe Acrobat, Microsoft Word, or Google Docs, which often have built-in PDF creation tools. Print to PDF: Many applications and operating systems have a "Print to PDF" option that allows you to save a document as a PDF file instead of printing it on paper. Online converters: There are various online tools that can convert different file types to PDF. **How do I edit a Rotary Diecutting Dimensional Accuracy Control PDF?** Editing a PDF can be done with software like Adobe Acrobat, which allows direct editing of text, images, and other elements within the PDF. Some free tools, like PDFescape or Smallpdf, also offer basic editing capabilities. **How do I convert a Rotary Diecutting Dimensional Accuracy Control PDF to another file format?** There are multiple ways to convert a PDF to another format: Use online converters like Smallpdf, Zamzar, or Adobe Acrobats export feature to convert PDFs to formats

like Word, Excel, JPEG, etc. Software like Adobe Acrobat, Microsoft Word, or other PDF editors may have options to export or save PDFs in different formats. **How do I password-protect a Rotary Diecutting Dimensional Accuracy Control PDF?** Most PDF editing software allows you to add password protection. In Adobe Acrobat, for instance, you can go to "File" -> "Properties" -> "Security" to set a password to restrict access or editing capabilities. Are there any free alternatives to Adobe Acrobat for working with PDFs? Yes, there are many free alternatives for working with PDFs, such as: LibreOffice: Offers PDF editing features. PDFsam: Allows splitting, merging, and editing PDFs. Foxit Reader: Provides basic PDF viewing and editing capabilities. How do I compress a PDF file? You can use online tools like Smallpdf, ILovePDF, or desktop software like Adobe Acrobat to compress PDF files without significant quality loss. Compression reduces the file size, making it easier to share and download. Can I fill out forms in a PDF file? Yes, most PDF viewers/editors like Adobe Acrobat, Preview (on Mac), or various online tools allow you to fill out forms in PDF files by selecting text fields and entering information. Are there any restrictions when working with PDFs? Some PDFs might have restrictions set by their creator, such as password protection, editing restrictions, or print restrictions. Breaking these restrictions might require specific software or tools, which may or may not be legal depending on the circumstances and local laws.

Find Rotary Diecutting Dimensional Accuracy Control :

old faithful 18 writers present their favorite writing assignments

old banjo

old age in greek and latin literature

oil in uganda

oh canada oh quebec requiem for a divided country

ojos vendidos

old rosa a novel in two stories

old man rubbing his eyes

ogres ogres ogres a feasting frenzy from a to z

old mother goose illustrated with numerous colored plates and black and white drawings

oilfields of the world

old time yarn

oh how he loves you

oh rose petal sky

oh beans starring lima bean oh beans ser.

Rotary Diecutting Dimensional Accuracy Control :

une dent perdue je suis en ce1 t4 lire demain - Oct 04 2022

web aug 19 2020 fiche technique format broché nb de pages 37 pages poids 118 g dimensions 15cm x 20cm date de parution 19 08 2020 isbn 978 2 08 151191 0

une dent perdue je suis en ce1 4 von unbekannt medimops - Jan 27 2022

je suis en ce1 tome 4 une dent perdue label emmaüs - Nov 24 2021

je suis en ce1 une dent perdue amazon fr - May 11 2023

web mar 15 2014 je découvre la lecture dès 7 ans au dessert basil a encore faim car il n a pas assez mangé il prend une pomme et croque dedans mais une dent reste plantée

je suis en ce1 tome 4 une dent perdue furet du nord - Sep 03 2022

web may 12 2022 je suis en ce1 une dent perdue boucle dort 450 subscribers subscribe 4 share 724 views 7 months ago boutondort lecturedu soir dentiste ce1 show

livre une dent perdue je suis en ce1 le livre de magdalena - Jul 01 2022

web chinez en ligne près de chez vous en saisissant votre code postal les produits seront triés du plus près au plus loin de chez vous saisissez votre code postal se souvenir de mon

je suis en ce1 une dent perdue youtube - May 31 2022

web achetez je suis en ce1 une dent perdue librairie de france vous trouverez satisfaction sur librairiedefrance net livraison partout en côte d ivoire catégorie

une dent perdue je suis en ce1 t4 de l auteur magdalena - Dec 26 2021

je suis en ce1 une dent perdue librairie de france - Feb 25 2022

web je suis en ce1 tome 4 une dent perdue au dessert basil a encore faim car il n a pas assez

je suis en ce1 tome 4 une dent perdue babelio - Mar 09 2023

web castor poche premieres lectures je suis en ce1 une dent perdue je suis en ce1 4 magdalena amazon com tr kitap

amazon fr une dent perdue magdalena ristord - Apr 10 2023

web je suis en ce1 t 4 une dent perdue par emmanuel ristord magdalena aux éditions pere castor au dessert basil a encore faim car il n a pas assez mangé il prend une pomme

[je suis en ce1 une dent perdue tome 4 frenchbooksonline com](#) - Aug 02 2022

web je suis en ce1 tome 4 une dent perdue au dessert basil a encore faim car il n a

je suis en ce1 tome 4 une dent perdue de magdalena - Feb 08 2023

web mar 15 2014 je suis en ce1 t 04 une dent perdue magdalena ristord emmanuel 9782081307094 books amazon ca

calaméo je suis en ce1 t 4 une dent perdue - Jun 12 2023

web dans la lignée de je suis en cp une série consacrée aux élèves de ce1 avec les mêmes personnages pour que les lecteurs grandissent avec eux 1 histoire 1 dico illustré des

castor poche premieres lectures je suis en ce1 une dent - Dec 06 2022

web mar 19 2014 je suis en ce1 tome 4 une dent perdue de plongez vous dans le livre magdalena au format poche ajoutez le à votre liste de souhaits ou abonnez vous à

je suis en ce1 t 04 une dent perdue magdalena - Nov 05 2022

web je suis en ce1 n 4 une dent perdue tome 4 au dessert basil a encore faim car il n a pas assez mangé il prend une pomme et croque deda

je suis en ce1 tome 4 une dent perdue label emmaüs - Apr 29 2022

web une dent perdue je suis en ce1 4 von unbekannt taschenbuch bei medimops de bestellen gebraucht günstig kaufen sparen gratis versand bei medimops

je suis en ce1 tome 4 une dent perdue label emmaüs - Mar 29 2022

web achetez le livre une dent perdue je suis en ce1 t4 de l auteur magdalena Éditeur flammarion sur lire demain

je suis en ce1 tome 4 une dent perdue fnac - Jul 13 2023

web aug 19 2020 je suis en ce1 tome 4 une dent perdue magdalena emmanuel ristord flammarion jeunesse pere castor des milliers de livres avec la livraison chez vous en

[je suis en ce1 t 4 une dent perdue cultura](#) - Jan 07 2023

web résumé au dessert basil a encore faim car il n a pas assez mangé il prend une pomme et croque dedans mais une dent reste plantée dans le fruit avec un peu de sang date de

une dent perdue je suis en ce1 4 kağıt kapak amazon com tr - Aug 14 2023

web arama yapmak istediğiniz kategoriye seçin

blocker mover offense hoop coach - Apr 17 2023

web mar 30 2022 blocker mover offense march 30 2022 joeybarrett no comments the blocker mover offense is an offense created by legendary college coach dick bennett in the 80s and 90s in his coaching career bennett coached green bay wisconsin and washington state and made the ncaa tournament seven times

blocker mover offense out of bounds plays set plays reads - Sep 10 2022

web item number bd 05528a currently 4 00 5 stars 4 00 5 stars 1 review make opponents fear fighting through the numerous screens of the blocker mover offense adapt the blocker mover structure to maximize the strengths of your roster use the blocker mover against zones to avoid abandoning your core offensive scheme

the unguardable blocker mover offense effective screens - Aug 09 2022

web coach english will give you the answers to these questions in a modernized version of the blocker mover offense in this on the court instructional presentation you will learn how to develop the essential actions to the offense along with critical principles for any offensive system and set plays to highlight a post who can stretch the floor

blocker mover offense fastmodel sports - Apr 05 2022

web dec 20 2021 the blocker mover offense has always been interesting to me and i learned a lot about the offense in crunching the film between the diagrams and embedded video the different options are covered i really like this offense as a way to feature your post players video below

blocker mover offense wikipedia - Sep 22 2023

web the blocker mover or wheel offense is an offensive scheme used in basketball primarily college basketball the offense was popularized by dick bennett when he was the coach at wisconsin green bay wisconsin and washington state

blocker mover offense manual full explanation with diagrams - Jan 14 2023

web description this is my blocker mover manual course with the explanation of the fast draw diagrams this is a comprehensive manual and has everything you need to successfully install the popular offense

blocker mover offense wikiwand - Dec 13 2022

web the blocker mover or wheel offense is an offensive scheme used in basketball primarily college basketball the offense was popularized by dick bennett when he was the coach at wisconsin green bay wisconsin and washington state

the blocker mover offense playbook next play hoops - Mar 04 2022

web the blocker mover offense is a motion offense that has extensive screening and cutting that has players reading and reacting to how the defense is playing them players have defined roles some are blockers and some are

blocker mover offense introduction on the bench - Aug 21 2023

web feb 27 2021 advantages of the blocker mover offense is a structured motion offense that creates multiple freelance opportunities for your best scorers creates continual screening actions the defense gets tired of defending is nearly unstoppable when run with superior talent creates an offensive identity for

the pros and cons of virginia s blocker mover offense - Jun 07 2022

web dec 27 2018 intro the pros and cons of virginia s blocker mover offense hoopvision68 101k subscribers subscribe 1 2k

84k views 4 years ago in a basketball world that has put a premium on spacing and ball

blocker mover offense guide hoopsking com instructional - May 18 2023

web jun 4 2023 teaching the blocker mover offense blockers should focus on screening slipping screens posting up defenders and pinning sealing defenders movers should focus on coming off screens for a shot or using their dribble reading screens for

blocker mover offense complete coaching guide - Jul 20 2023

web one teaches my to read screens this blocker mover is a screen oriented attack movers run the adenine series of screens designed to liberate them for unlock shot however screens are merely powerful if players know how till show the defense

blocker mover for high school coaches youtube - May 06 2022

web introduction blocker mover for high school coaches matt hackenberg 9 7k subscribers subscribe 6k views 1 year ago continuity offenses this is one of my favorite projects to

blocker mover offense complete coaching guide - Oct 11 2022

web the blocker mover is ampere screen oriented offense movers run through a model of screens designed till free their for open shots however shows will only effective if players understand what to read the defenses because few coaches underline this skill blocker mover crew can separate themselves from most other in is area

blocker mover offense complete coaching guide basketball - Oct 23 2023

web strengths of the blocker mover offense b lets players play to their strengths because players are categorized as blockers or movers the coach can c seeks to get shots for your best players this goes hand in hand with the previous point while blockers should get d it will improve

blocker mover offense how to install youtube - Mar 16 2023

web jul 9 2022 5 706 views 1 year ago in this webinar clinic i covered our concepts on where i start teaching and implementing the blocker mover offense starting with the get open drill along with a few

blocker mover manual joe kuhn basketball - Nov 12 2022

web the blocker mover manual is a comprehensive guide to running the popular offense included are the principles of the offense rules of the blockers and movers general player movements offensive drills and defensive shell drills shooting drills combo drills set plays and zone offense ideas

blocker mover playbook coaching toolbox - Feb 15 2023

web blocker mover half court zone offense 2 4 9 12 25 26 46 75 the court from side to side and top to bottom uses the screen properly based on reading the defense and making the right cut top wing short corner concepts b b blockers are smart team players who embrace their primary responsibility of setting good solid screens for movers

what s a blocker mover offense in basketball - Jun 19 2023

web a blocker mover offense in basketball is a tactical strategy that employs two primary player roles blockers who set screens to create open shots and movers who constantly move around the court and exploit those screens

blocker mover offense core drills and shooting drills - Jul 08 2022

web nov 1 2023 build your blocker mover offense using essential practice drills run the get open drill to rehearse numerous options in the blocker mover offense read the defense on flare screens to counter any strategy your opponent tries to use against you use shooting drills that break down the blocker mover offense to practice shots players

haulotte optimum 8 operators manual - Jan 26 2022

web haulotte optimum 8 operators manual 36 pages honeywell t6 pro automobile manuals top computer device types laptop manuals network card manuals gps receiver manuals franklin electric subdrive 75 manual isco 750 manual victa pro 550 manual ups polaris xion 850 manual ms9017c manual lenze 8600 user manual

haulotte optimum 8 manuals manualslib - Aug 13 2023

web manuals and user guides for haulotte optimum 8 we have 5 haulotte optimum 8 manuals available for free pdf download maintenance book operator s manual training manual

manuals documentation haulotte australia - Feb 07 2023

web manuals documentation to read and download your haulotte s manuals please go to e technical information com login haulotte manuals password manuals

haulotte optimum 8 1 manuals manualslib - Apr 09 2023

web we have 1 haulotte optimum 8 1 manual available for free pdf download operator s manual haulotte optimum 8 1 operator s manual 140 pages electric scissor lifts brand haulotte category scissor lifts size 6 14 mb table of contents 3 operator s manual 7 after sales service 7 compliance 8 haulotte services

haulotte group optimum 8 manuals manualslib - Jun 11 2023

web manuals and user guides for haulotte group optimum 8 we have 2 haulotte group optimum 8 manuals available for free pdf download maintenance book operating and maintenance instructions manual haulotte group optimum 8 maintenance book 148 pages brand haulotte group category boom lifts size 10 07 mb table of

electric scissor lifts optimum 8 haulotte singapore - May 30 2022

web haulotte activ screen battery charge hourmeter service alert failures icons in code or in full text pothole guards 2 swing out trays lateral fork lifting pockets 2 front steering and 2 rear driving wheels proportional controls electric or manual break release system tilt sensor lifting and stowage points non marking tyres

new optimum 8 haulotte corporate - Mar 28 2022

web optimum 8 new electric scissor nothing stops it simple robust and reliable the optimum 8 works non stop to meet the requirements of productivity and ease of maintenance and safe working conditions at all times haulotte activ screen provides operators with key information such as alarms troubleshooting as well as battery

haulotte optimum 8 operator s manual pdf download manualslib - Sep 14 2023

web view and download haulotte optimum 8 operator s manual online optimum 8 lifting systems pdf manual download also for optimum 1931 e

haulotte operators manual haulotte optimum 8 by p340 issuu - Nov 04 2022

web feb 6 2018 get haulotte operators manual haulotte optimum 8 pdf file for free from our online library haulotte operators manual haulotte optimum 8 pdf 71 pages 369 91 kb 03

haulotte optimum 8 training manual pdf download manualslib - May 10 2023

web view and download haulotte optimum 8 training manual online optimum 8 lifting systems pdf manual download also for optimum 1931 e

haulotte optimum 8 maintenance book pdf download manualslib - Jul 12 2023

web view and download haulotte optimum 8 maintenance book online optimum 8 construction equipment pdf manual download also for optimum 1931 e

haulotte scissor lift optimum 8 1931e operators manual - Jun 30 2022

web aug 23 2020 haulotte scissor lift optimum 8 1931e operators manual size 68 7 mb format pdf language english german brand haulotte type of machine scissor lift type of document operators manual model haulotte scissor lift optimum 8 optimum 1931 e content haulotte scissor lift optimum 8 1931e operators

haulotte scissor lift optimum 8 1931e operators manual - Oct 03 2022

web description haulotte scissor lift optimum 8 1931e operators manual size 68 7 mb format pdf language english german brand haulotte type of machine scissor lift type of document operators manual model haulotte scissor lift optimum 8 optimum 1931 e content haulotte scissor lift optimum 8 1931e operators

haulotte scissor lift optimum 8 1931e operator s manual - Aug 01 2022

web mar 29 2023 haulotte scissor lift optimum 8 1931e operator s manual size 32 4 mb format pdf language english brand haulotte type of machine scissor lift type of

haulotte group optimum 8 maintenance book manualslib - Dec 05 2022

web view and download haulotte group optimum 8 maintenance book online optimum 8 boom lifts pdf manual download also for optimum 1931 e

haulotte optimum 8 operator s manual guidessimo com - Apr 28 2022

web manufacturer haulotte category of device construction equipment lifting systems document optimum 8 operator s manual file type pdf updated 18 04 2023 count of pages 124 download optimum 8 manual 124 pages

optimum 8 haulotte pdf catalogs directindustry - Feb 24 2022

web oct 12 2014 electric scissor lifts best driving and lifting experience ac powered high precision driving proportional and quick movements best turning radius utmost versatility ability to go through standard doorways mobile potholes protection indoor outdoor rated minimal maintenance and downtime

haulotte scissor lift optimum 8 1931e operators manual - Sep 02 2022

web type of document operators manual model haulotte scissor lift optimum 8 optimum 1931 e content haulotte scissor lift optimum 8 1931e operators manual 4001058440 de haulotte scissor lift optimum 8 1931e operators manual 4001058450 en haulotte scissor lift optimum 8 1931e operators

haulotte optimum 8 operators manual canadian instructions - Jan 06 2023

web jul 15 2023 haulotte operators manual haulotte optimum 8 pdf operators manual pdf 3 71 haulotte h15sx download haulotte manual h15sx pdf download cbse class 12 english haulotte optimum 6 until 2004 haulotte h15sdx

haulotte optimum 8 repair manual 2005 pdf pdf wound - Mar 08 2023

web this manual gives the information required for you to perform servicing and repair operations on certain pieces of equipment yourself during and after the guarantee period our after sales service is available to perform any servicing operations you may require