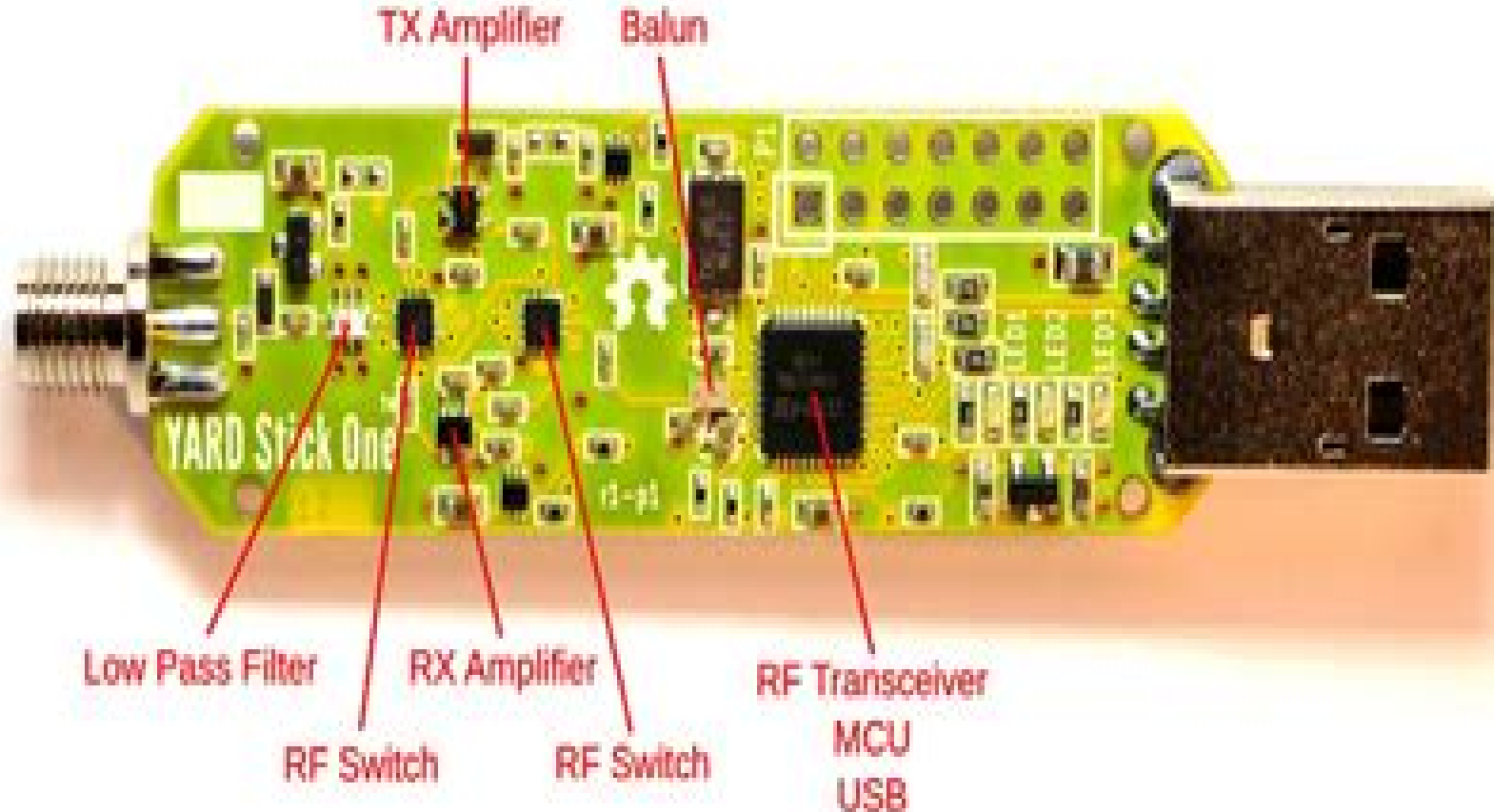


# Michael Ossmann: Simple RF Circuit Design



# Rf Circuit Design

**Richard C. Li**



## **Rf Circuit Design:**

**RF Circuit Design** Christopher Bowick,2014-06-28 Essential reading for experts in the field of RF circuit design and engineers needing a good reference This book provides complete design procedures for multiple pole Butterworth Chebyshev and Bessel filters It also covers capacitors inductors and other components with their behavior at RF frequencies discussed in detail Provides complete design procedures for multiple pole Butterworth Chebyshev and Bessel filters Covers capacitors inductors and other components with their behavior at RF frequencies discussed in detail

**RF Circuit Design** Chris Bowick,1997 Essential reading for experts in the field of RF circuit design and engineers needing a good reference This book provides complete design procedures for multiple pole Butterworth Chebyshev and Bessel filters It also covers capacitors inductors and other components with their behavior at RF frequencies discussed in detail Provides complete design procedures for multiple pole Butterworth Chebyshev and Bessel filters Covers capacitors inductors and other components with their behavior at RF frequencies discussed in detail

RF Circuit Design Richard C. Li,2008-10-22 A Must Read for all RF RFIC Circuit Designers This book targets the four most difficult skills facing RF RFIC designers today impedance matching RF AC grounding Six Sigma design and RFIC technology Unlike most books on the market it presents readers with practical engineering design examples to explore how they re used to solve ever more complex problems The content is divided into three key parts Individual RF block circuit design Basic RF circuit design skills RF system engineering The author assumes a fundamental background in RF circuit design theory and the goal of the book is to enable readers to master the correct methodology The book includes treatment of special circuit topologies and introduces some useful schemes for simulation and layout This is a must read for RF RFIC circuit design engineers system designers working with communication systems and graduates and researchers in related fields

RF Circuit Design Reinhold Ludwig,Pavel Bretchko,2000 This practical and comprehensive book introduces RF circuit design fundamentals while emphasizing a circuit based approach

**Radar RF Circuit Design** Nickolas Kingsley,Joseph R. Guerzi,2016-03-01 This authoritative new resource presents practical techniques for optimizing RF and microwave circuits for applications in radar systems design with an emphasis on current and emerging technologies Professionals learn how to design RF components for radar systems and how to choose appropriate materials and packaging methods This book explains how to integrate components while avoiding higher level assembly issues and troubleshooting problems on the measurement bench Theory and practical information are provided while addressing topics ranging from heat removal to digital circuit integration This book is divided into three sections the first section introduces the basics of microwave design including transmission line theory and common materials used in RF circuits The methods for creating accurate device models for both passive and active circuits are presented The second part details the design of power amplifiers low noise amplifiers and passive elements Both conventional and state of the art design techniques are included with ample tips and tricks The last section concludes with a

focus on component integration providing details on design methods for military operations high manufacturing yield and preventing measurement issues

**RF Circuit Design Techniques for MF-UHF Applications** Abdullah Eroglu, 2017-12-19

Magnetic resonance imaging semiconductor processing and RFID are some of the critical applications within the medium frequency MF to ultrahigh frequency UHF range that require RF designers to have a solid understanding of analytical and experimental RF techniques Designers need to be able to design components and devices cost effectively and integrate them with high efficiency minimal loss and required power Computer aided design CAD tools also play an important part in helping to reduce costs and improve accuracy through optimization RF Circuit Design Techniques for MF UHF Applications explains how to design simulate and implement RF microwave components and devices for applications within the medium frequency MF to ultrahigh frequency UHF range The book makes RF design simple by expertly blending theory simulation and practical application examples A Practical Guide to RF Circuit Design in the MF UHF Range Theory Simulation and Real World Application Examples After a review of network parameters used in the analysis of RF components and devices the book examines MF UHF design techniques in detail These include techniques for designing high power microstrip circuits directional couplers transformers composite and multilayer inductors filters combiners dividers and RFID systems For every device the book gives the required theory and then explains the verification process with CAD tools In addition each design is illustrated with real life implementation examples that use a variety of CAD tools such as MATLAB Mathcad HFSSTM Ansoft Designer Sonnet and PSpice Design tables curves and charts are included to demonstrate an efficient design process Throughout the book also offers practical hints to help engineers shorten the design time Design MF UHF Devices More Cost Effectively The book reflects the optimum design methodology used in RF engineering from the application of theory to simulation for verification to experimentation Packed with useful techniques tips and examples it is an invaluable resource for engineers researchers and students working in the MF UHF range

**RF Circuit Design** Reinhold Ludwig, Gene Bogdanov, 2009 This straightforward volume takes a distributed transmission line approach to RF circuit design with a focus on methodology fundamentals and minimal discussion of theoretical concepts The Second Edition introduces RF design tools such as the Smith Chart dual port networks S parameters and provides extensive coverage of RF filter design matching networks active and passive device modeling narrow and broadband amplifiers mixers and oscillators Approaches RF design from a circuit perspective so readers need little or no background in electromagnetic fields Prominently features key RF concepts in sidebars throughout the text For anyone interested in learning more about RF circuit design

**RF Circuit Design** Christopher Bowick, 2011-04-08 It's Back New chapters examples and insights all infused with the timeless concepts and theories that have helped RF engineers for the past 25 years RF circuit design is now more important than ever as we find ourselves in an increasingly wireless world Radio is the backbone of today's wireless industry with protocols such as Bluetooth Wi-Fi WiMax and ZigBee Most if not all mobile devices have an RF component and this book tells the reader how to

design and integrate that component in a very practical fashion This book has been updated to include today s integrated circuit IC and system level design issues as well as keeping its classic wire lead material Design Concepts and Tools Include The Basics Wires Resistors Capacitors Inductors Resonant Circuits Resonance Insertion Loss Filter Design High pass Bandpass Band rejection Impedance Matching The L Network Smith Charts Software Design Tools Transistors Materials Y Parameters S Parameters Small Signal RF Amplifier Transistor Biasing Y Parameters S Parameters RF Power Amplifiers Automatic Shutdown Circuitry Broadband Transformers Practical Winding Hints RF Front End Architectures Software Defined Radios ADC s Effects RF Design Tools Languages Flow Modeling Check out this book s companion Web site at <http://www.elsevierdirect.com/companion.jsp> ISBN 9780750685184 for full color Smith Charts and extra content Completely updated but still contains its classic timeless information Two NEW chapters on RF Front End Design and RF Design Tools Not overly math intensive perfect for the working RF and digital professional that need to build analog RF Wireless circuits

**Analog Circuit Design** Michiel Steyaert, Arthur van Roermund, Johan Huijsing, 2006-01-18 Analog Circuit Design contains the contribution of 18 tutorials of the 14th workshop on Advances in Analog Circuit Design Each part discusses a specific todote topic on new and valuable design ideas in the area of analog circuit design Each part is presented by six experts in that field and state of the art information is shared and overviewed This book is number 14 in this successful series of Analog Circuit Design providing valuable information and excellent overviews of analog circuit design CAD and RF systems Analog Circuit Design is an essential reference source for analog circuit designers and researchers wishing to keep abreast with the latest development in the field The tutorial coverage also makes it suitable for use in an advanced design course

**Secrets of RF Circuit Design** Joseph J. Carr, 1997 An intermediate level guide to designing building and testing all types of radio frequency circuits The book includes functional projects that demonstrate the principles of RF circuits parts lists and sources of components

**Wireless Communication Electronics** Robert Sobot, 2012-02-21 This book is intended for senior undergraduate and graduate students as well as practicing engineers who are involved in design and analysis of radio frequency RF circuits Detailed tutorials are included on all major topics required to understand fundamental principles behind both the main sub circuits required to design an RF transceiver and the whole communication system Starting with review of fundamental principles in electromagnetic EM transmission and signal propagation through detailed practical analysis of RF amplifier mixer modulator demodulator and oscillator circuit topologies all the way to the system communication theory behind the RF transceiver operation this book systematically covers all relevant aspects in a way that is suitable for a single semester university level course

*Circuit Design for RF Transceivers* Domine Leenaerts, J. van der Tang, Cicero S. Vaucher, 2001-11-30 Applicable for bookstore catalogue

**RADIO FREQUENCY CIRCUIT DESIGN W.** Alan Davis, Krishna K. Agarwal, 2009-07-01 Market\_Desc Graduate Level Electrical Engineering Students Professional Engineers in Telecommunications and RF Design Special Features Updating the leading competitors the book offers

examples of systems to illustrate how the techniques described fit into a broader system Presents mathematical techniques such as S parameters and improved computational methods for circuit analysis Discusses applications of MMICs to radio frequency design About The Book This book covers receiver and transmitter circuits and the latest technology applied to Radio Frequency communications This field is growing and this book addresses both academia and working engineers

**Radio Frequency Circuit Design** W. Alan Davis, Krishna Agarwal, 2003-05-28 A much needed up to date guide to the rapidly growing area of RF circuit design this book walks readers through a whole range of new and improved techniques for the analysis and design of receiver and transmitter circuits illustrating them through examples from modern day communications systems The application of MMIC to RF design is also discussed [RF and Microwave Circuit Design](#) Charles E. Free, Colin S. Aitchison, 2021-09-14 RF and Microwave Circuit Design Provides up to date coverage of the fundamentals of high frequency microwave technology written by two leading voices in the field RF and Microwave Circuit Design Theory and Applications is an authoritative highly practical introduction to basic RF and microwave circuits With an emphasis on real world examples the text explains how distributed circuits using microstrip and other planar transmission lines can be designed and fabricated for use in modern high frequency passive and active circuits and sub systems The authors provide clear and accurate guidance on each essential aspect of circuit design from the theory of transmission lines to the passive and active circuits that form the basis of modern high frequency circuits and sub systems Assuming a basic grasp of electronic concepts the book is organized around first principles and includes an extensive set of worked examples to guide student readers with no prior grounding in the subject of high frequency microwave technology Throughout the text detailed coverage of practical design using distributed circuits demonstrates the influence of modern fabrication processes Filling a significant gap in literature by addressing RF and microwave circuit design with a central theme of planar distributed circuits this textbook Provides comprehensive discussion of the foundational concepts of RF and microwave transmission lines introduced through an exploration of wave propagation along a typical transmission line Describes fabrication processes for RF and microwave circuits including etched thick film and thin film RF circuits Covers the Smith Chart and its application in circuit design S parameters Mason s non touching loop rule transducer power gain and stability Discusses the influence of noise in high frequency circuits and low noise amplifier design Features an introduction to the design of high frequency planar antennas Contains supporting chapters on fabrication circuit parameters and measurements Includes access to a companion website with PowerPoint slides for instructors as well as supplementary resources Perfect for senior undergraduate students and first year graduate students in electrical engineering courses RF and Microwave Circuit Design Theory and Applications will also earn a place in the libraries of RF and microwave professionals looking for a useful reference to refresh their understanding of fundamental concepts in the field **Key Issues in Rf/rfic Circuit Design** Richard Chi-Hsi Li, 2005 **RF Circuits and Applications for Practicing Engineers** Mouqun Dong, 2020-10-31 This

comprehensive resource explains the theory of RF circuits and systems and the practice of designing them The fundamentals for linear and low noise amplifier designs including the S and noise parameters and their applications in amplifier designs and matching network designs using the Smith chart are covered Theories of RF power amplifiers and high efficiency power amplifiers are also explained The underpinnings of wireless communications systems as well as passive components commonly used in RF circuits and measurements are discussed RF measurement techniques and RF switches are also presented The book explores stability criteria and the invariant property of lossless networks and includes detailed theoretical treatments The basic concepts and techniques covered in this book are routinely used in today s engineering practice especially from the perspective of printed circuit board PCB based RF circuit design and system integration Intended for practicing engineers and circuit designers this book focuses on practical topics in circuit design and measurement techniques It bridges the gap between academic materials and real circuit designs using real circuit examples and practical tips Readers develop a numerical feel for RF problems as well as awareness of the concepts of design for cost and design for manufacturing which is a critical skill set for today s engineers working in an environment of commercial product development

*Radio Frequency Circuit Design* W. Alan Davis, 2011-03-16 This book focuses on components such as filters transformers amplifiers mixers and oscillators Even the phase lock loop chapter the last in the book is oriented toward practical circuit design in contrast to the more systems orientation of most communication texts

**Practical RF Circuit Design for Modern Wireless Systems** Les Besser, Rowan Gilmore, 2003 Annotation In today s globally competitive wireless industry the design to production cycle is critically important The first of a two volume set this leading edge book takes a practical approach to RF radio frequency circuit design offering a complete understanding of the fundamental concepts practitioners need to know and use for their work in the field

*An Introduction to RF Circuit Design for Communication Systems* Roger C Palmer, 2016-02-20 This book provides an insight into techniques that are commonly used in the design of modern RF communications equipment Although the emphasis is on equipment or circuits that are part of communication systems information is provided on a variety of general electronic design topics It is assumed that the reader has a general understanding of basic electronic concepts such as that required to pass the U S General or the Canadian Advanced Amateur exam No special mathematical skills should be necessary to make use of the material that is presented basic Grade 10 algebra will be sufficient No calculus will be used at any time Some basic trigonometry is required in a few places but a simple tutorial on the necessary concepts is provided in one of the Appendices This is not intended to be a formal text book with rigorous explanations derivations and difficult mathematics It is assumed that the reader would prefer to get a good understanding of how circuits work with just enough detail so that designs can be analyzed in a basic manner Where appropriate approximations and rules of thumb will be disclosed that can often simplify the design process The book includes several design examples

## Unveiling the Magic of Words: A Review of "**Rf Circuit Design**"

In a world defined by information and interconnectivity, the enchanting power of words has acquired unparalleled significance. Their ability to kindle emotions, provoke contemplation, and ignite transformative change is actually awe-inspiring. Enter the realm of "**Rf Circuit Design**," a mesmerizing literary masterpiece penned by a distinguished author, guiding readers on a profound journey to unravel the secrets and potential hidden within every word. In this critique, we shall delve to the book is central themes, examine its distinctive writing style, and assess its profound effect on the souls of its readers.

<https://pinsupreme.com/files/publication/default.aspx/Milton%20Park%20Affair.pdf>

### **Table of Contents Rf Circuit Design**

1. Understanding the eBook Rf Circuit Design
  - The Rise of Digital Reading Rf Circuit Design
  - Advantages of eBooks Over Traditional Books
2. Identifying Rf Circuit Design
  - Exploring Different Genres
  - Considering Fiction vs. Non-Fiction
  - Determining Your Reading Goals
3. Choosing the Right eBook Platform
  - Popular eBook Platforms
  - Features to Look for in an Rf Circuit Design
  - User-Friendly Interface
4. Exploring eBook Recommendations from Rf Circuit Design
  - Personalized Recommendations
  - Rf Circuit Design User Reviews and Ratings
  - Rf Circuit Design and Bestseller Lists



5. Accessing Rf Circuit Design Free and Paid eBooks
  - Rf Circuit Design Public Domain eBooks
  - Rf Circuit Design eBook Subscription Services
  - Rf Circuit Design Budget-Friendly Options
6. Navigating Rf Circuit Design eBook Formats
  - ePub, PDF, MOBI, and More
  - Rf Circuit Design Compatibility with Devices
  - Rf Circuit Design Enhanced eBook Features
7. Enhancing Your Reading Experience
  - Adjustable Fonts and Text Sizes of Rf Circuit Design
  - Highlighting and Note-Taking Rf Circuit Design
  - Interactive Elements Rf Circuit Design
8. Staying Engaged with Rf Circuit Design
  - Joining Online Reading Communities
  - Participating in Virtual Book Clubs
  - Following Authors and Publishers Rf Circuit Design
9. Balancing eBooks and Physical Books Rf Circuit Design
  - Benefits of a Digital Library
  - Creating a Diverse Reading Collection Rf Circuit Design
10. Overcoming Reading Challenges
  - Dealing with Digital Eye Strain
  - Minimizing Distractions
  - Managing Screen Time
11. Cultivating a Reading Routine Rf Circuit Design
  - Setting Reading Goals Rf Circuit Design
  - Carving Out Dedicated Reading Time
12. Sourcing Reliable Information of Rf Circuit Design
  - Fact-Checking eBook Content of Rf Circuit Design
  - Distinguishing Credible Sources
13. Promoting Lifelong Learning

- Utilizing eBooks for Skill Development
  - Exploring Educational eBooks
14. Embracing eBook Trends
- Integration of Multimedia Elements
  - Interactive and Gamified eBooks

### **Rf Circuit Design Introduction**

In today's digital age, the availability of Rf Circuit Design books and manuals for download has revolutionized the way we access information. Gone are the days of physically flipping through pages and carrying heavy textbooks or manuals. With just a few clicks, we can now access a wealth of knowledge from the comfort of our own homes or on the go. This article will explore the advantages of Rf Circuit Design books and manuals for download, along with some popular platforms that offer these resources. One of the significant advantages of Rf Circuit Design books and manuals for download is the cost-saving aspect. Traditional books and manuals can be costly, especially if you need to purchase several of them for educational or professional purposes. By accessing Rf Circuit Design versions, you eliminate the need to spend money on physical copies. This not only saves you money but also reduces the environmental impact associated with book production and transportation. Furthermore, Rf Circuit Design books and manuals for download are incredibly convenient. With just a computer or smartphone and an internet connection, you can access a vast library of resources on any subject imaginable. Whether you're a student looking for textbooks, a professional seeking industry-specific manuals, or someone interested in self-improvement, these digital resources provide an efficient and accessible means of acquiring knowledge. Moreover, PDF books and manuals offer a range of benefits compared to other digital formats. PDF files are designed to retain their formatting regardless of the device used to open them. This ensures that the content appears exactly as intended by the author, with no loss of formatting or missing graphics. Additionally, PDF files can be easily annotated, bookmarked, and searched for specific terms, making them highly practical for studying or referencing. When it comes to accessing Rf Circuit Design books and manuals, several platforms offer an extensive collection of resources. One such platform is Project Gutenberg, a nonprofit organization that provides over 60,000 free eBooks. These books are primarily in the public domain, meaning they can be freely distributed and downloaded. Project Gutenberg offers a wide range of classic literature, making it an excellent resource for literature enthusiasts. Another popular platform for Rf Circuit Design books and manuals is Open Library. Open Library is an initiative of the Internet Archive, a non-profit organization dedicated to digitizing cultural artifacts and making them accessible to the public. Open Library hosts millions of books, including both public domain works and contemporary titles. It also allows users to borrow digital copies of certain books for a limited period, similar to a library.

lending system. Additionally, many universities and educational institutions have their own digital libraries that provide free access to PDF books and manuals. These libraries often offer academic texts, research papers, and technical manuals, making them invaluable resources for students and researchers. Some notable examples include MIT OpenCourseWare, which offers free access to course materials from the Massachusetts Institute of Technology, and the Digital Public Library of America, which provides a vast collection of digitized books and historical documents. In conclusion, Rf Circuit Design books and manuals for download have transformed the way we access information. They provide a cost-effective and convenient means of acquiring knowledge, offering the ability to access a vast library of resources at our fingertips. With platforms like Project Gutenberg, Open Library, and various digital libraries offered by educational institutions, we have access to an ever-expanding collection of books and manuals. Whether for educational, professional, or personal purposes, these digital resources serve as valuable tools for continuous learning and self-improvement. So why not take advantage of the vast world of Rf Circuit Design books and manuals for download and embark on your journey of knowledge?

### FAQs About Rf Circuit Design Books

1. Where can I buy Rf Circuit Design books? Bookstores: Physical bookstores like Barnes & Noble, Waterstones, and independent local stores. Online Retailers: Amazon, Book Depository, and various online bookstores offer a wide range of books in physical and digital formats.
2. What are the different book formats available? Hardcover: Sturdy and durable, usually more expensive. Paperback: Cheaper, lighter, and more portable than hardcovers. E-books: Digital books available for e-readers like Kindle or software like Apple Books, Kindle, and Google Play Books.
3. How do I choose a Rf Circuit Design book to read? Genres: Consider the genre you enjoy (fiction, non-fiction, mystery, sci-fi, etc.). Recommendations: Ask friends, join book clubs, or explore online reviews and recommendations. Author: If you like a particular author, you might enjoy more of their work.
4. How do I take care of Rf Circuit Design books? Storage: Keep them away from direct sunlight and in a dry environment. Handling: Avoid folding pages, use bookmarks, and handle them with clean hands. Cleaning: Gently dust the covers and pages occasionally.
5. Can I borrow books without buying them? Public Libraries: Local libraries offer a wide range of books for borrowing. Book Swaps: Community book exchanges or online platforms where people exchange books.
6. How can I track my reading progress or manage my book collection? Book Tracking Apps: Goodreads, LibraryThing,

and Book Catalogue are popular apps for tracking your reading progress and managing book collections. Spreadsheets: You can create your own spreadsheet to track books read, ratings, and other details.

7. What are Rf Circuit Design audiobooks, and where can I find them? Audiobooks: Audio recordings of books, perfect for listening while commuting or multitasking. Platforms: Audible, LibriVox, and Google Play Books offer a wide selection of audiobooks.
8. How do I support authors or the book industry? Buy Books: Purchase books from authors or independent bookstores. Reviews: Leave reviews on platforms like Goodreads or Amazon. Promotion: Share your favorite books on social media or recommend them to friends.
9. Are there book clubs or reading communities I can join? Local Clubs: Check for local book clubs in libraries or community centers. Online Communities: Platforms like Goodreads have virtual book clubs and discussion groups.
10. Can I read Rf Circuit Design books for free? Public Domain Books: Many classic books are available for free as they're in the public domain. Free E-books: Some websites offer free e-books legally, like Project Gutenberg or Open Library.

### Find Rf Circuit Design :

[milton park affair](#)

*mind only a philosophical and doctrinal analysis of the vijnanavada*

*mimbres classic mysteries*

[miners and merchants in bourbon mexico 1763-1810](#)

**millers tale the**

**mineral assessment report 39 the sand &**

**mind and body. the theories of their relation**

~~mine ventilation proceedings of the 2nd us mine ventilation symposium university of nevada reno 2325 september 1985~~

~~millers clocks~~

**mines of death valley mines**

*mind and the way buddhist reflections on life*

[mineral assessment report 84 the sand &](#)

~~mind of a killer cd-rom~~

*mind of china the culture customs beli*

[militarization and demilitarization in el salvadors transition to democracy](#)

**Rf Circuit Design :**

**resume telaah naskah drama menganalisis unsur instrinsik** - May 12 2023

web mata kuliah telaah naskah drama resume menganalisis unsur instrinsik dan ekstrinsik naskah drama rumah do re mi karya mayang sari adegan 1 suatu malam yang dingin dan mencekam di dalam sebuah kamar terdapat anak anak panti asuhan yang sedang tertidur semuanya seakan sepakat untuk

**2023 tiyatro eleştirmenliği ve dramaturji taban puanları başarı** - Feb 26 2022

web feb 15 2023 2023 yılında tyt ayt yks ye girecek öğrenciler için 2022 tiyatro eleştirmenliği ve dramaturji taban puanları ve başarı sıralamaları tablodaki gibidir tabloda yer alan veriler

**course telaah teks sastra berbahasa inggris** - Aug 03 2022

web melalui mata kuliah modul ini anda akan mempelajari mata kuliah ini mengenalkan mahasiswa pada tiga genre dalam sastra yaitu drama puisi dan prosa dalam bahasa inggris mahasiswa mendapat pengetahuan mengenai berbagai elemen pembangun teks yang menjadikan sastra sebuah karya seni yang mewakili pemikiran kreatif penulis dan

**3000 soal dan jawaban bahasa indonesia** - Jul 02 2022

web 3000 soal dan jawaban bahasa indonesia 3000 soal dan jawaban bahasa indonesia 3000 soal dan jawaban bahasa indonesia 3000 soal dan jawaban bahasa indonesia 3000 soal dan jawaban bahasa indonesia

**rancangan kegiatan belajar mengajar silabus** - Jun 13 2023

web tujuan instruksional umum setelah mengikuti mata kuliah ini mahasiswa dapat menjelaskan pengertian drama dan variansi nama lainnya setelah mengikuti mata kuliah ini mahasiswa dapat menjelaskan unsur unsur drama baik sebagai karya sastra maupun sebagai karya pentas

**3000 soal dan jawaban bahasa indonesia** - Dec 07 2022

web 3000 soal dan jawaban bahasa indonesia 3000 soal dan jawaban bahasa indonesia 3000 soal dan jawaban bahasa indonesia 3000 soal dan jawaban bahasa indonesia 3000 soal dan jawaban bahasa indonesia

**tugas akhir mata kuliah telaah drama youtube** - Dec 27 2021

web nama haswinnim n1d121007 kelas adosen pengampuh dr firmansyah m artsjurusan bahasa dan sastra prodi sastra indonesia fakultas ilmu budayauniv

**tugas mata kuliah telaah drama youtube** - Apr 30 2022

web nama rismayantanim n1d121047kelas a mata kuliah telaah drama jurusan bahasa dan sastra program studi sastra indonesia

**in 211 kajian drama indonesia s1 2 sks semester 5** - Aug 15 2023

web mata kuliah ini memberikan pengalaman kepada mahasiswa untuk melakukan kajian atau telaah stuktur drama baik

dalam bentuk teks tertulis naskah maupun pementasan dengan bertolak pada pendekatan atau metode tertentu serta menerapkan model model pengajaran drama

**resume telaah naskah drama menentukan tahapan alur** - Jul 14 2023

web mata kuliah telaah naskah drama resume menentukan tahapan alur alur plot merupakan jalan cerita rangkaian peristiwa dari awal sampai akhir dalam menyusun jalan cerita dapat disusun dengan pola eksposisi konflik awal komplikasi klimaks penurunan dan penyelesaian untuk lebih jelasnya perhatikan penjabaran

**peraturan akademik prodi sastra inggris** - Oct 05 2022

web telaah drama mata kuliah ini berisi tentang pengertian drama unsur unsur drama sebagai karya sastra jenis jenis drama jenis jenis teater tradisional yang ada di indonesia kritik drama baik naskah maupun panggung 39 17000226 sosiologi sastra

**tugas akhir mata kuliah telaah drama youtube** - Mar 30 2022

web nama rahmatia nim n1d121044kelas nd21bprodi sastra indonesia video ini dibuat untuk tugas mata kuliah telaah drama telaahdrama

*telaah prosa researchgate* - Jan 28 2022

web x mata kuliah telaah prosa x semester ii dua x kode mata kuliah 17000230 x tahun akademik 2019 2020 x jumlah sks 4 sks x nama dosen drs puji santosa m hum apu

**tugas mata kuliah telaah drama blogger** - Jun 01 2022

web apr 13 2018 tugas mata kuliah telaah drama manusia baru karya sanoesi pane 1 dilihat dari tata kelola penulisannya termasuk jenis apakah naskah drama tersebut tragedi komedi melodrama farce jawab tragedi sebab sanoesi pane menceritakan sebuah konflik sosial antara kaum buruh dengan majikan perusahaan

kurikulum prodi sastra indonesia universitas - Jan 08 2023

web telaah drama dan teater indonesia 3 2 1 mata kuliah ini berisi materi tentang hakikat macam struktur dan unsur unsur drama menganalisis drama indonesia yang representatif pengertian teater konvensi teater analisis

uns open courseware - Apr 11 2023

web nama mata kuliah telaah drama jumlah sks 2 semester 5 a ganjil file rps mata kuliah rencana pembelajaran semester rps paling sedikit memuat a nama program studi nama dan kode mata kuliah semester sks nama dosen pengampu b cpl yang dibebankan pada mata kuliah c kemampuan akhir yang direncanakan tiap tahap

kuliah umum drama ganto co - Sep 04 2022

web may 31 2014 kuliah umum drama yang bertema konvensi dan produksi teater ini juga dihadiri oleh mahasiswa sekolah tinggi keguruan ilmu pendidikan lubang alung acara dibuka langsung oleh drs andria catri tamsin m pd penanggung jawab matakuliah telaah drama ia mengatakan teater adalah induk dari seni

[tinjauan mata kuliah s perpustakaan ut](#) - Feb 09 2023

web tinjauan mata kuliah elamat datang dan bergabung dalam mata kuliah drama mata kuliah ini merupakan salah satu bagian dari mata kuliah keahlian program s 1 program studi pendidikan bahasa dan sastra indonesia

**lisans haftalık ders programı İstanbul** - Nov 06 2022

web lisans haftalık ders programı

*telaah naskah drama malam jahanam slideshare* - Mar 10 2023

web telaah naskah drama malam jahanam nama siti nurjanah npm kelas 180110120006 b mata kuliah telaah teater dan drama dosen dr lina meilinawati rahayu m hum prodi sastra indonesia universitas padjadjaran kejamanan tokoh pada satu malam malam jahanam merupakan salah satu karya dari seniman sastra

*maus reservoir gráfica todo lo demás hardcover iberlibro com* - Nov 06 2022

web una fascinante novela gráfica sobre el holocausto y la memoria reconocida mundialmente que obtuvo el primer y único premio pulitzer otorgado a un cómic maus es la biografía de vladek spiegelman un judío polaco superviviente de los campos de exterminio nazis contada a través de su hijo art un dibujante de cómics que quiere dejar

*mouseumu hareket ettirince mavi ekran veriyor microsoft* - Jan 28 2022

web mouseumu hareket ettirince mavi ekran veriyor bilgisayarımı öylesine kullanıyordum aniden mavi ekran verdi daha sonrasında açmaya kalktığımda mouseumu hareket ettirdiğim gibi mavi ekran vermeye başladı başka bir mouse ile denedim fakat yine aynı şekilde mavi ekran aldım mavi ekranda aldığım kod kmode exception not handled

**descargar pdf epub maus reservoir gráfica por** - Jul 02 2022

web may 31 2018 may 31 descargar pdf epub maus reservoir gráfica por art spiegelman leer en linea ebook kindle descargar maus reservoir gráfica pdf epub libro detalles del libro auteur art spiegelman idioma español isbn 8439720718 número de páginas 296 páginas editor reservoir books

*maus art* - Dec 07 2022

web maus es la biografía de vladek spiegelman un judío polaco superviviente de los campos de exterminio nazis contada a través de su hijo art un dibujante de cómics que quiere dejar memoria de la aterradora persecución que sufrieron millones de personas en la europa sometida por hitler y de las consecuencias de este sufrimiento en la vida cotidiana

*maus reservoir grafica agenciaojs mincyt gob ar* - Apr 30 2022

web kindly say the maus reservoir grafica is universally compatible with any devices to read fun home alison bechdel 2007 a memoir done in the form of a graphic novel by a cult favorite comic artist offers a darkly funny family portrait that details her relationship with her father a funeral home director high school english teacher

*maus reservoir gráfica yumpu* - Aug 03 2022

web pdf download maus reservoir grã fica spanish edition read maus reservoir grã fica spanish edition best seller maus reservoir grã fica spanish edition

**maus reservoir grafica** - Feb 26 2022

web maus reservoir grafica 2019 12 07 alvarado gunner the nuclear barons viking draws on the archives of the anne frank house to relate the short but inspiring life of the jewish teen memoirist from the lives of her parents to anne s years keeping her private diary while hidden from the nazis to her untimely death in a

**maus 3d cad model library grabcad** - Mar 30 2022

web jun 20 2018 june 20th 2018 panzer viii maus the superheavy german tank avilable for autodesk inventor 2015 2019 the final assembly cannot be loaded in the grabcad 3d viewer because it s apparently too big just like the entire chasis of the maus

**maus edicion 40 aniversario reservoir grafica amazon es** - Jul 14 2023

web maus edicion 40 aniversario reservoir grafica art spiegelman art spiegelman amazon es libros libros cómics manga y novelas gráficas cómics y novelas gráficas nuevo 26 00 los precios incluyen iva el precio final a pagar al finalizar la compra puede variar según la dirección de entrega ver detalles

**book maus reservoir grã fica spanish edition full pdf** - May 12 2023

web pdf download maus reservoir grã fica spanish edition read maus reservoir grã fica spanish edition best seller maus reservoir grã fica spanish edition

**maus reservoir grafica help environment harvard edu** - Jun 01 2022

web maus reservoir grafica is available in our digital library an online access to it is set as public so you can download it instantly our books collection saves in multiple countries allowing you to get the most less latency time to download any of our books like this one merely said the maus reservoir grafica is universally compatible with

*github arevi mouse data visualizer a visual playground for the* - Dec 27 2021

web a visual playground for the windmouse javascript library edit settings in real time and fine tune your mouse movements github arevi mouse data visualizer a visual playground for the windmouse javascript library edit settings in

*maus de art spiegelman el cómic ganador del premio pullitzer* - Sep 04 2022

web nov 1 2021 en este artículo te voy a contar sobre maus la obra cumbre de art spiegelman sobre el holocausto un cómic que trascendió las barreras artísticas y que le valió a su autor el reconocido premio pullitzer como galardón especial dentro de la categoría de letras

*9788439720713 maus reservoir gráfica abebooks* - Feb 09 2023

web maus reservoir gráfica von spiegelman art bei abebooks de isbn 10 8439720718 isbn 13 9788439720713 reservoir books



2018 hardcover

**maus penguin libros** - Jun 13 2023

web maus art spiegelman reservoir books junio 2007 una fascinante novela gráfica sobre el holocausto y la memoria reconocida mundialmente que obtuvo el primer y único premio pulitzer otorgado a un cómic descripción detalles del producto

reseña de maus comic novela gráfica reservoir books art - Mar 10 2023

web jun 21 2017 reseña de maus novela gráfica creada por art spielgman quien ejerce de autor completo en una edición distribuida por reservoir books a un precio de 22 e

**maus reservoir gráfica todo lo demás hardcover amazon es** - Aug 15 2023

web maus reservoir gráfica todo lo demás hardcover 1 jun 2007 spanish version tapa dura 15 junio 2007 una fascinante novela gráfica sobre el holocausto y la memoria reconocida mundialmente que obtuvo el primer y único premio pulitzer otorgado a

**maus reservoir books penguin random house** - Apr 11 2023

web editorial reservoir books penguin random house edición 1 idioma español isbn 9789873650383 páginas 296 colección reservoir books fecha de edición 30 09 2022 encuadernación tapa blanda materias novela grafica

**9788439720713 maus reservoir gráfica todo lo demás** - Jan 08 2023

web una fascinante novela gráfica sobre el holocausto y la memoria reconocida mundialmente que obtuvo el primer y único premio pulitzer otorgado a un cómic maus es la biografía de vladek spiegelman un judío polaco superviviente de los campos de exterminio nazis contada a través de su hijo art un dibujante de cómics que quiere dejar

**metamaus viaje al interior de un clásico moderno maus reservoir** - Oct 05 2022

web metamaus es el libro que cuenta minuciosamente la intrahistoria de maus una obra gráfica fascinante sobre el holocausto y la memoria reconocida mundialmente metamaus es una obra maestra acerca de la creación artística quizá la novela gráfica pudiese existir tal y como la conocemos sin algunos de sus ejemplos más notorios pero no sin maus

marie les messages de l ange histoires de la bibl copy - Sep 08 2022

marie les messages de l ange histoires de la bibl 3 3 enable them to foster the emergence of intercultural encounters and dialogue in a globalized context bulletin bibliographique de la

**marie les messages de l ange histoires de la bibl pdf** - Apr 03 2022

aug 19 2023 marie les messages de l ange histoires de la bible dès 11 ans marie odile hartmann 2015 08 13 l incroyable destin de la mère de jésus Élevée à l intérieur du temple

*marie les messages de l ange histoires de la bible lisez* - Sep 20 2023

marie les messages de l ange histoires de la bible dès 11 ans de marie thérèse davidson auteur marie odile hartmann auteur y julie ricolle illu

**marie les messages de l ange histoires de la bibl yves de** - Nov 29 2021

marie les messages de l ange histoires de la bible - Aug 19 2023

marie les messages de l ange histoires de la bible dès 11 ans 12 by marie odile hartmann marie thérèse davidson bible des livres pour les enfants dès 11 ans intermédiaire entre

*marie les messages de l ange histoires de la bibl* - Jun 05 2022

marie john chapter 7 21 marie les messages de l ange histoires de la bible dès 11 ans reading communities reading scripture debates in the senate in its session of 1853 1854

**marie les messages de l ange histoires de la bibl** - Jul 06 2022

autres versions par tyndale house publishers inc bíblia sagrada nova versão transformadora nvt new living translation nlt nueva traducción viviente ntv the message msg

*marie les messages de l ange phebusa* - Mar 14 2023

marie les messages de l ange histoires de la bibl is universally compatible in the manner of any devices to read vie de jésus ou examen critique de son histoire par david Frédéric

**marie les messages de l ange histoires de la bible dès 11 ans** - Apr 15 2023

un jour la colombe revient transformée en ange couverture note en bref en bref ce petit roman s adresse aux plus jeunes qui désirent en savoir plus sur les histoires de la bible et

*marie les messages de l ange histoires de la bibl uniport edu* - Feb 01 2022

marie les messages de l ange histoires de la bibl this is likewise one of the factors by obtaining the soft documents of this marie les messages de l ange histoires de la bibl

**marie les messages de l ange histoires de la bible dès 11** - Dec 31 2021

*marie les messages de l ange histoires de la bible dès 11 ans* - Jan 12 2023

dans les nouvelles traductions de la bible cela est traduit par réjouis toi toi qui es comblée par la grâce l ange annonce à marie une très grande joie et une faveur de dieu qui va

marie les messages de l ange histoires de la bibl - Oct 09 2022

instigation as skillfully as search for them in some cases you likewise get not discover the publication marie les messages de l ange histoires de la bibl that you are looking for it

[bible msg youversion the message la bible app bible com](#) - May 04 2022

marie les messages de l ange histoires de la bibl a literary masterpiece that delves deep into the significance of words and their effect on our lives written by a renowned author this

*marie les messages de l ange histoires de la bible apple books* - Jun 17 2023

histoires de la bible marie les messages de l ange soudain marie vit sa colombe qu elle avait pourtant laissée à jérusalem s approcher à tire d aile mais la colombe grandissait

**marie les messages de l ange histoires de la bibl copy** - Aug 07 2022

marie les messages de l ange histoires de la bibl histoires de hantise feb 04 2022 l auteur fait le récit de dix cas d enquêtes effectuées au cours des vingt dernières années

*marie les messages de l ange histoires de la bible dès 11* - Jul 18 2023

aug 11 2015 l incroyable destin de la mère de jésus Élevée à l intérieur du temple de jérusalem marie douze ans est enfin en âge de se marier pour choisir celui qui sera son

*marie les messages de l ange histoires de la bibl 2023 wp* - Mar 02 2022

marie les messages de l ange histoires de la bible marie les messages de l ange histoires de la bible un ange chez marie luc 1 26 56 histoire biblique tmoignages sur les anges

*l ange gabriel annonce à marie la naissance de jésus* - Nov 10 2022

our books with this one merely said the marie les messages de l ange histoires de la bibl is universally compatible subsequently any devices to read vie de j b esus ou examen

**marie les messages de l ange arald auteurs en rhône alpes** - May 16 2023

résumé l incroyable destin de la mère de jésus Élevée à l intérieur du temple de jérusalem marie douze ans est enfin en âge de se marier pour choisir celui qui sera son époux le

**marie les messages de l ange histoires de la bibl yves de** - Feb 13 2023

aug 13 2015 l incroyable destin de la mère de jésus Élevée à l intérieur du temple de jérusalem marie douze ans

*l annonce hozana* - Dec 11 2022

marie les messages de l ange histoires de la bibl proceedings and ordinances of the privy council of england aug 30 2021 preventing and mitigating aids in sub saharan africa